



Expansion profiles are mounted in concrete floor plates to compensate movements in plate sections. Concrete plates are exposed to internal and external pressures. Damage occurs mainly at the edges of plates near to connections. Connection of floor plates should compensate their mutual horizontal movements (perpendicular and parallel to the expansion joint) which are usually caused by thermal expansion and shrinkage of concrete. At the same time the connection must also block vertical movements of floor elements which is a consequence of traffic, heavy loads and uneven passive earth pressure.

Conecto Sinus expansion joints allow for a movement between floor plates:

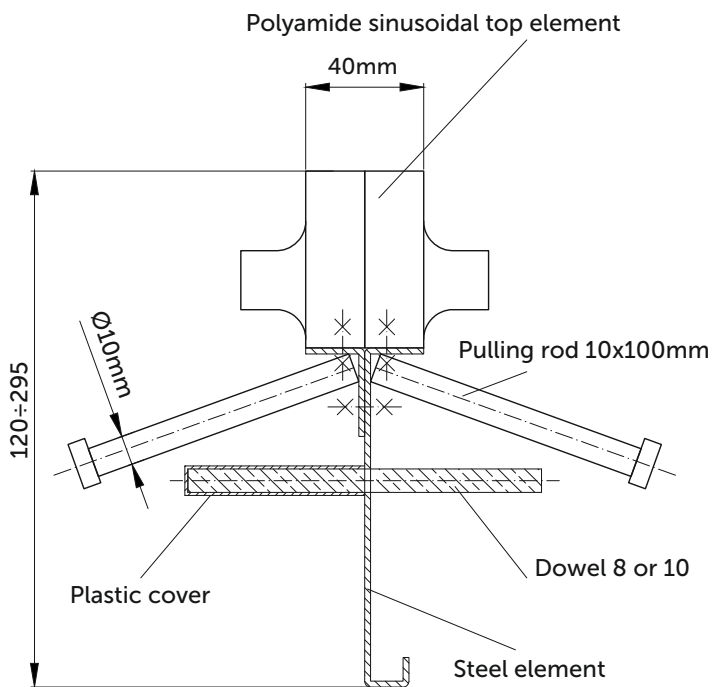
- dowel size 180x120x8mm ± 15 mm parallel and ± 20 mm perpendicular
- dowel size 180x140x10mm ± 20 mm parallel and ± 30 mm perpendicular

Plastic Conecto Sinus joint is innovation solution on the expansion joints market. Due to unique construction and best quality materials it gives feeling when driving over it, that there is no joint on the floor. Using sinusoid joints you could avoid floor cracking and difficult and expensive reparations. Conecto Sinus profiles completely absorb shocks and they are completely invisible in usage. Usage of Conecto Sinus joints minimizes operation costs. They reduce problem of damaged fork-lift wheels, loading equipment and goods destruction due to shocks. The system is complete, easy to install and ready for application.

Conecto Sinus system allows for the free movement of forklifts which wheels are particularly damaging for wrong made expansion joints.



TECHNICAL DATA SHEET



Advantages of Conecto 06NSTW60 profiles

- smooth passage through the dilatation
- possibility of grinding
- use of glass fiber reinforced polyamide
- Very big surface of steel dowel standard size 180x120x8, possibility to use dowels - 180x140x10
- maximum distance between dowels 600mm
- very large surface of the profile anchoring in the floor
- Dowel cover made of highly resistant ABS plastic

- SHOCKLESS AND VIBRATIONS FREE PASSAGE THRU DILATATION
- CO₂ REDUCTION DUE TO LOWER SHARE OF STEEL AND LOWER WEIGHT OF PROFILE
- INCREASING THE DURABILITY OF THE WHEELS
- NOT INTERFERE WITH THE OPERATION OF INDUCTIVELY CONTROLLED MEANS OF TRANSPORT
- DESIGNED FOR FLOORING INTENDED FOR GRINDING
- EASY TO PROCESS WHEN IT IS NECESSARY TO ALIGN THE FLOOR AT THE JOINT
- CORROSION- AND AGGRESSIVE ENVIRONMENT RESISTANT
- EXCELLENT EDGE PROTECTION THANKS TO THE PROFILED GLASS FIBER REINFORCED POLYAMIDE

