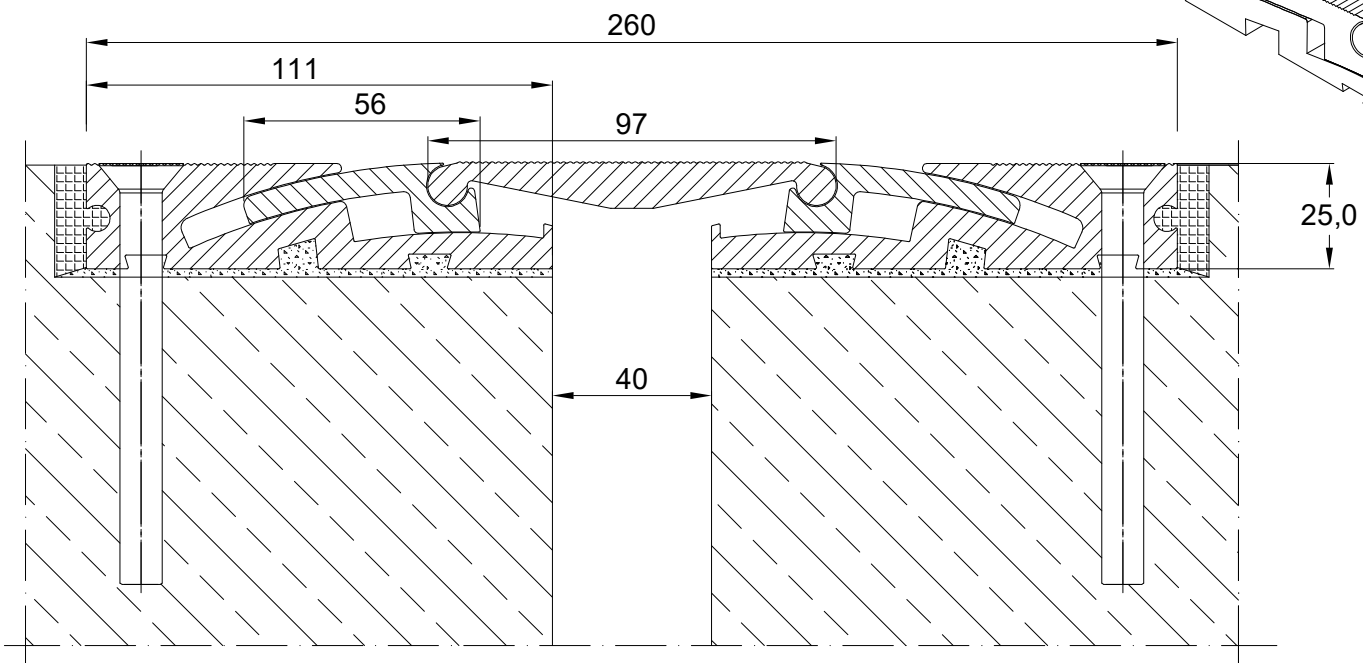


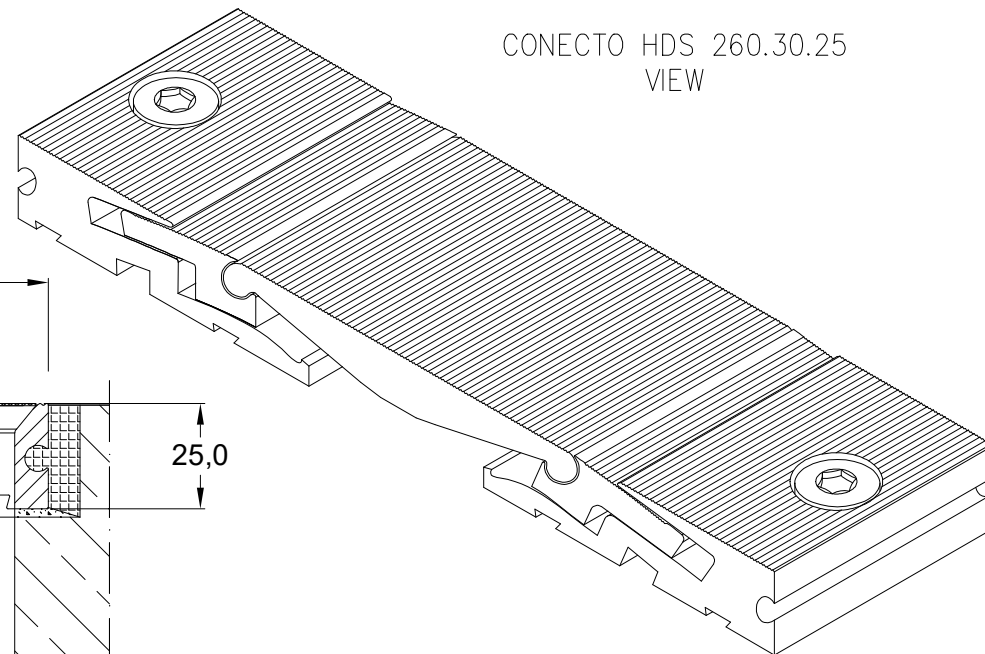
INFORMATION TABLE

Type of profile	Visible element [mm]	Joint width [mm]	Height of profile [mm]	Material	Load bearing capacity lorris (DIN 1072) [kN]	Load bearing capacity forklift trucks (DIN 1055) [kN]	Load bearing capacity vehicles with solid plastic tyres [kg/mm]	Movements horizontal/vertical [mm]
HDS 260.30.25	260	40	25	Aluminum	600	130	15	60(±30)/30(±15)

CONECTO HDS 260.30.25 SECTION



CONECTO HDS 260.30.25 VIEW



Expansion joint  
Conecto HDS 260.30.25

Conecto Profiles Sp. z o.o.  
ul. Przemysłowa 39  
61-541 Poznań  
www.conecto-profiles.com



ROZMIAR / SIZE  
A3

SKALA / SCALE  
1:1

Wszystkie wymiary podano w [ mm ]  
All dimensions in [ mm ]

PROJEKT PROJECT

---

ZŁOŻENIE SUB ASSEMBLY

---

RYSUNEK DRAWING

01

ARKUSZ SHEET

1 Z 1

WER REV

1