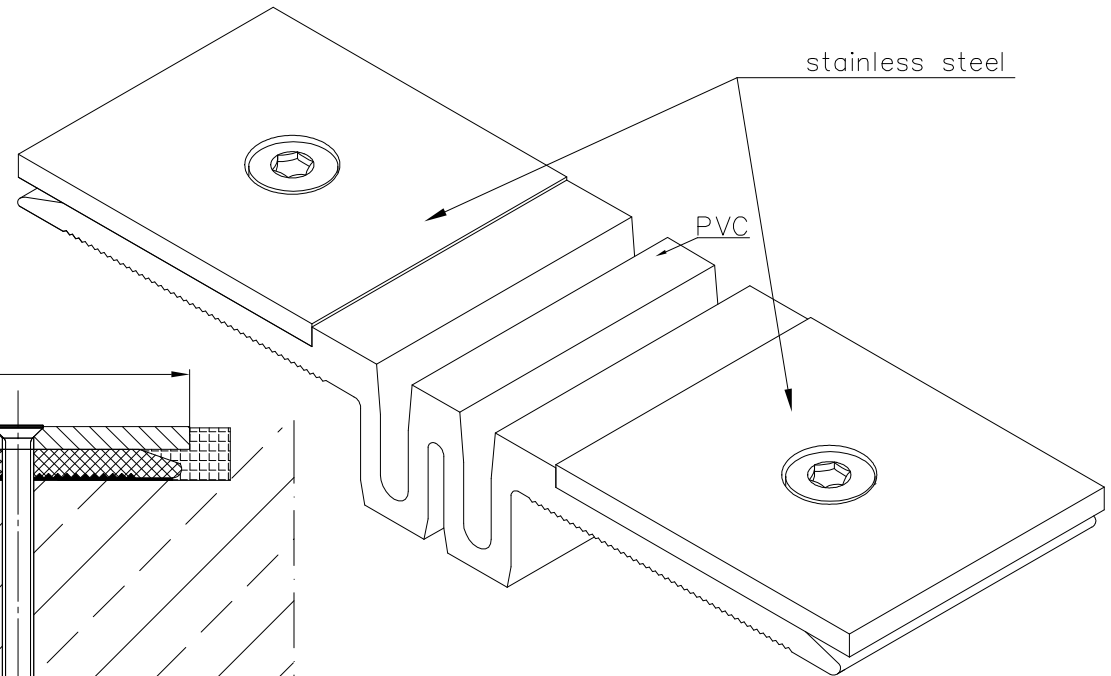


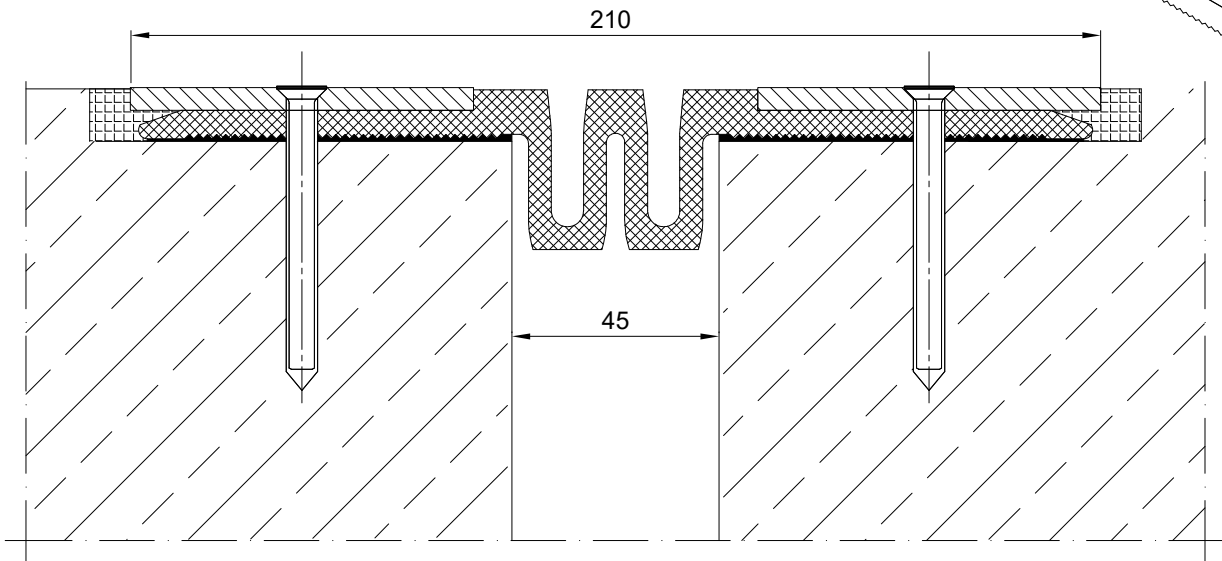
INFORMATION TABLE

Profile type	Visible element [mm]	Joint width [mm]	Method of installation	Installation height [mm]	Material type	Maximum load [KN]	Horizontal/Vertical compensation [mm]
SL210.50.W	210	45	groove installation	groove 10	stainless steel, PVC	450	60(±30) 40(±20)

CONECTO PARK SL 210.50.W
VIEW



CONECTO PARK SL 210.50.W
SECTION



Expansion joint Conecto Park
SL 210.50.W
L=3000, stainless steel version

Conecto Profiles Sp. z o.o.
ul. Przemysłowa 39
61-541 Poznań
www.conecto-profiles.com



PROJEKT	PROJECT	ZŁOŻENIE	SUB ASSEMBLY	RYSunEK	DRAWING	ARKUSZ SHEET	VER REV
--		--			01	1 Z OF 1	

RDZMIAR / SIZE SKALA / SCALE Wszystkie wymiary podano w [mm]
A3 1:1 All dimensions in [mm]