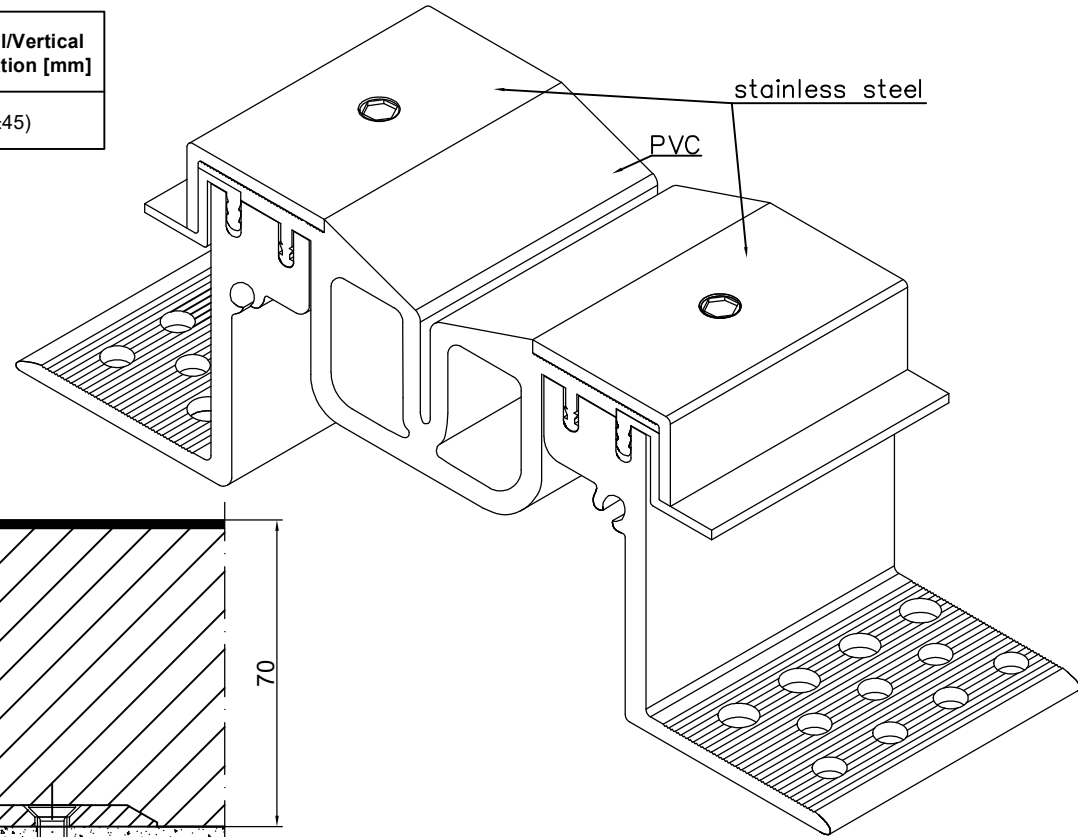


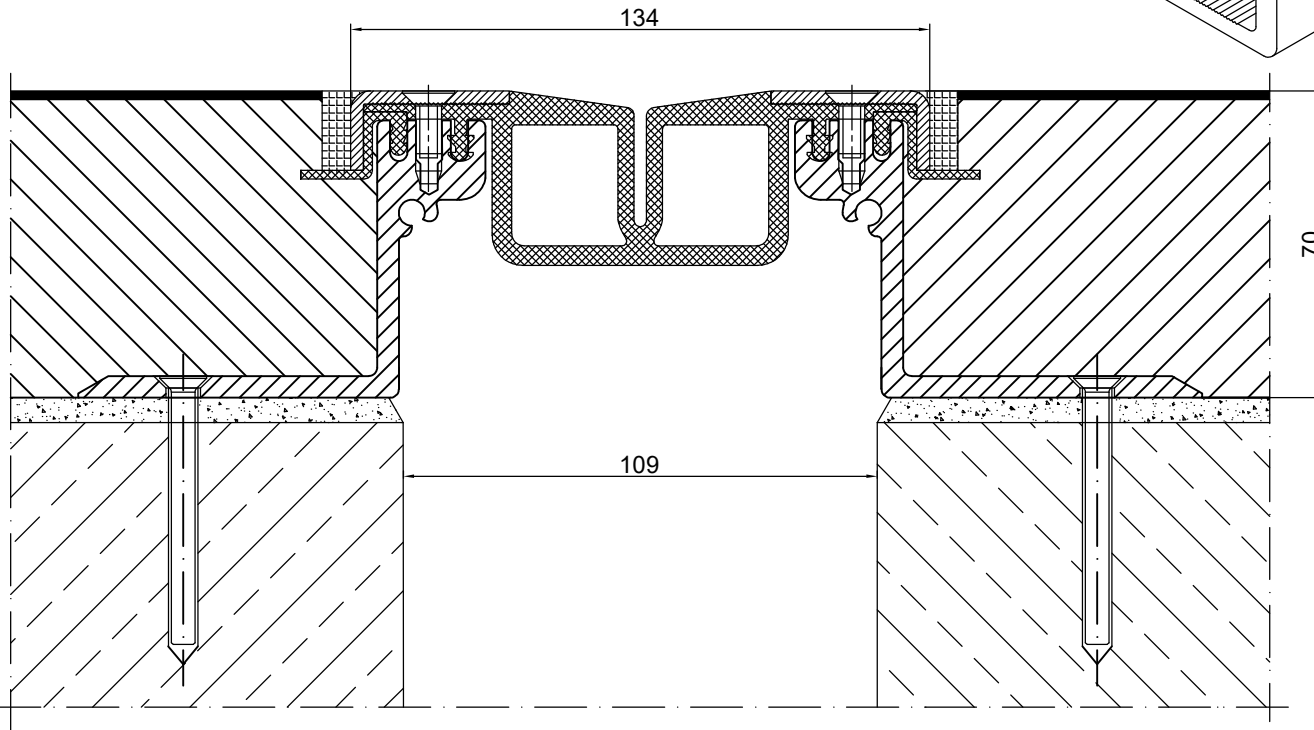
INFORMATION TABLE


Profile type	Visible element [mm]	Joint width [mm]	Base width [mm]	Installation height [mm]	Material type	Maximum load [kN]	Horizontal/Vertical compensation [mm]
GA 88.45.70 S	134	109	260	70	Aluminum, PVC, steel	90	90(±45)

CONECTO GA 88.45.70 S  
VIEW



CONECTO GA 88.45.70 S  
SECTION



Expansion joint Conecto Park GA 88.45.70 S			Conecto Profiles Sp. z o.o. ul. Przemysłowa 39 61-541 Poznań www.conecto-profiles.com						
			PROJEKT	PROJECT	ZŁOŻENIE			SUB ASSEMBLY	RYSunEK
ROZMIAR / SIZE	SKALA / SCALE	Wszystkie wymiary podano w [ mm ]							
A3	1:1	All dimensions in [ mm ]			--	--	01	1	DF 1