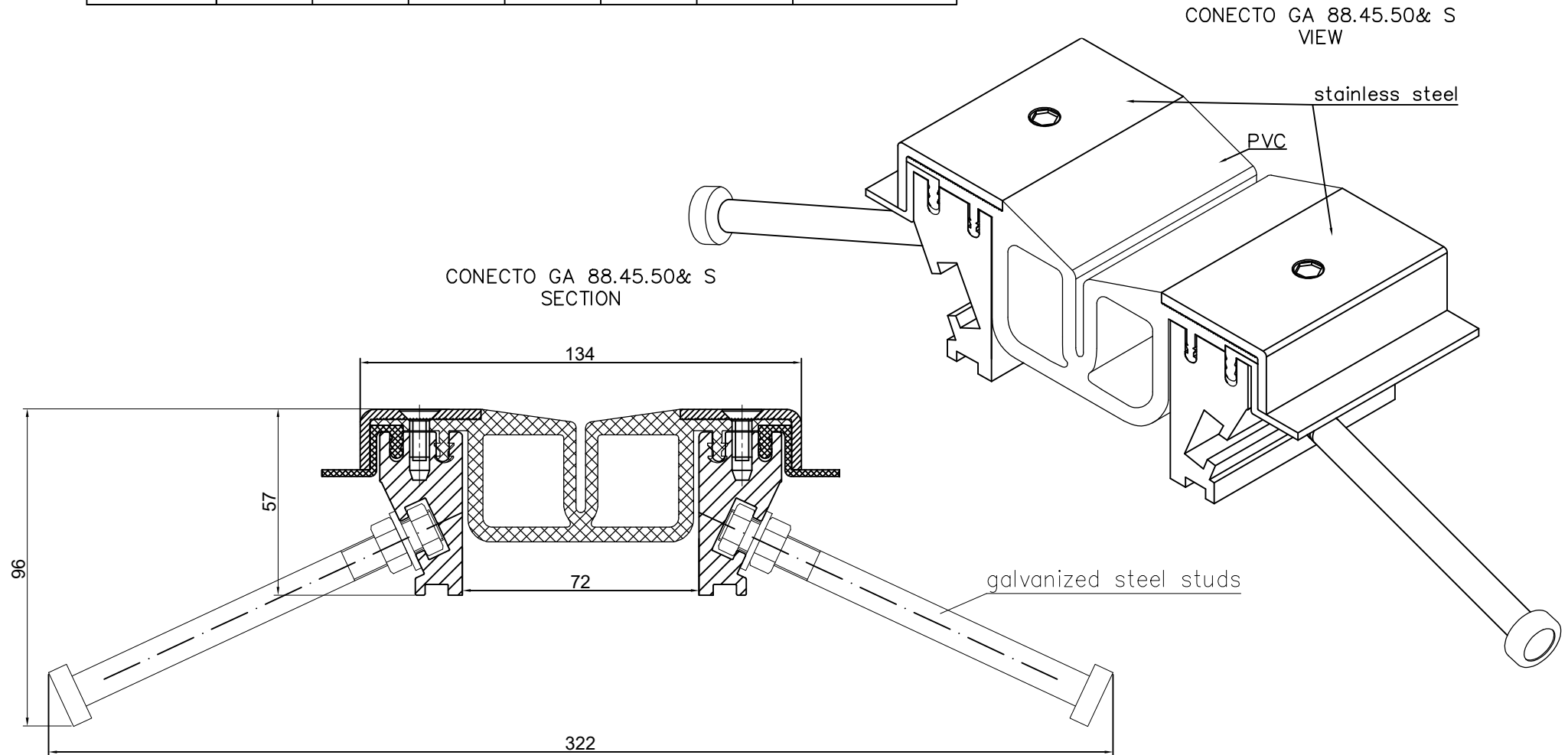



INFORMATION TABLE

Profile type	Visible element [mm]	Joint width [mm]	Base width [mm]	Installation height [mm]	Material type	Maximum load [kN]	Horizontal/Vertical compensation [mm]
GA 88.45.50& S +Galv studs	134	72	322	57/96	Aluminum, PVC, steel	300	90 (±45)



Expansion joint Conecto Park GA 88.45.50& S				Conecto Profiles Sp. z o.o. ul. Przemysłowa 39 61-541 Poznań www.conecto-profiles.com					
				PROJEKT	PROJECT	ZŁOŻENIE	SUB ASSEMBLY	RYSUNEK	DRAWING
ROZMIAR / SIZE	SKALA / SCALE	Wszystkie wymiary podano w [mm]			All dimensions in [mm]				
A3	1:1				01			1 Z OF 1	