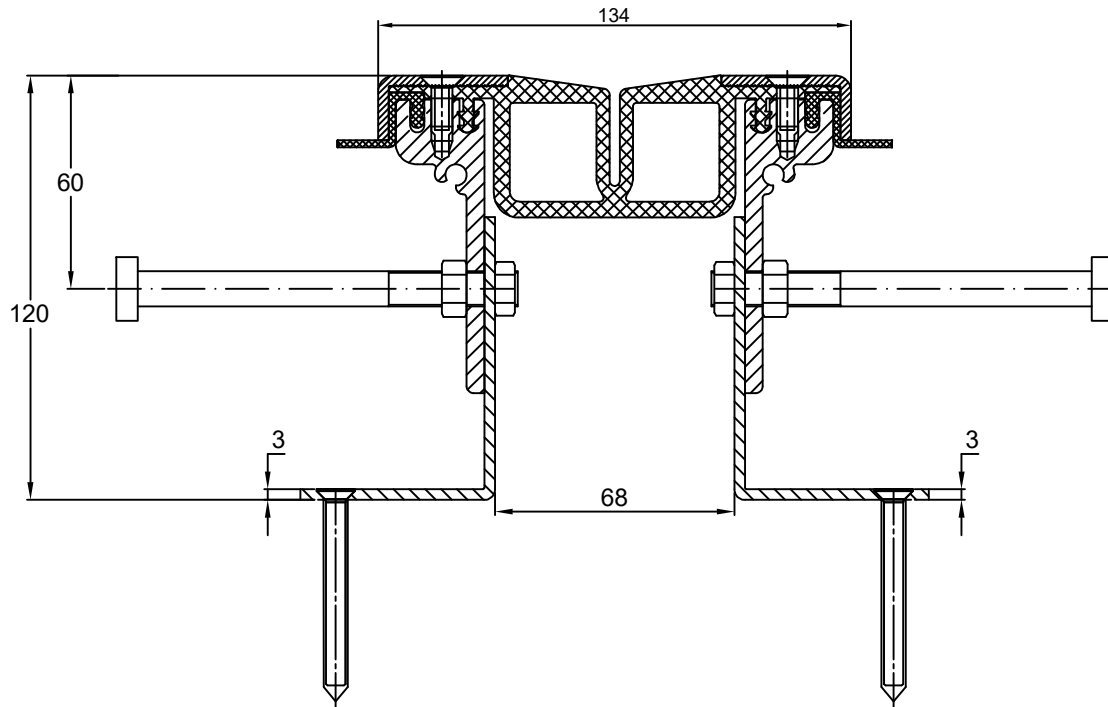


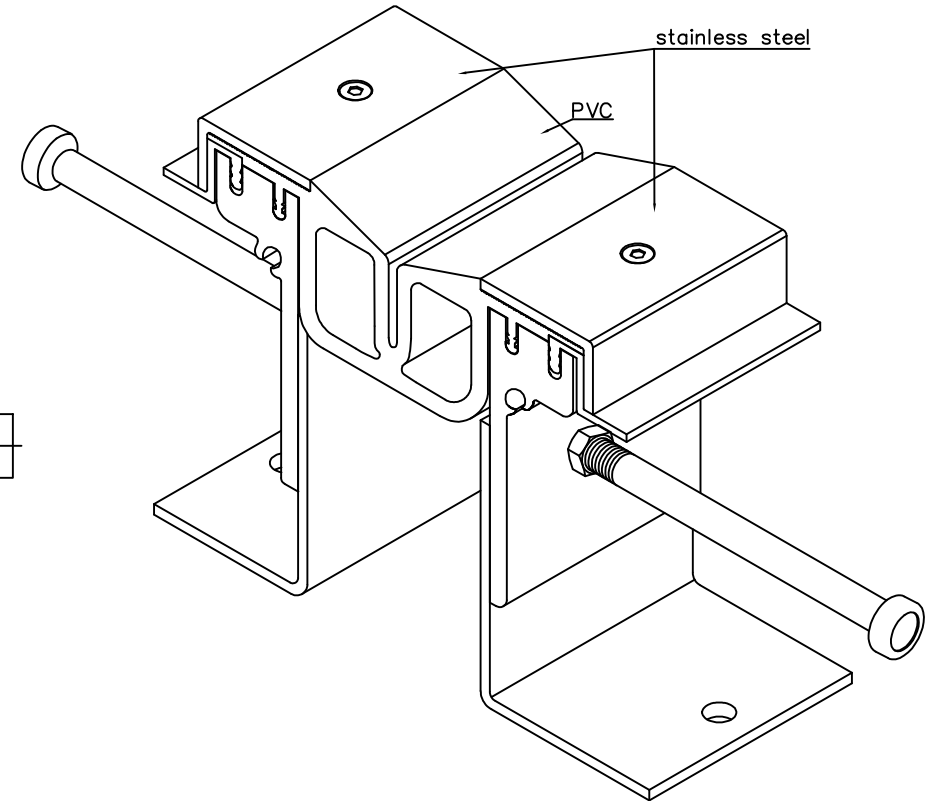
INFORMATION TABLE

Profile type	Visible element [mm]	Joint width [mm]	Base width [mm]	Installation height [mm]	Material type	Maximum load [kN]	Horizontal/Vertical compensation [mm]
GA 88.45.120 S + galv. studs	134	68	282	120	Aluminum, PVC, steel	600	90 (±45) 60 (±30)

CONECTO GA 88.45.120 S
with galvanized studs
SECTION



CONECTO GA 88.45.90 S
with galvanized studs
VIEW



Expansion joint Conecto Park
GA 80.45.120 S
on steel subconstruction 3mm thickness
with galvanized studs

Conecto Profiles Sp. z o.o.
ul. Przemysłowa 39
61-541 Poznań
www.conecto-profiles.com



ROZMIAR / SIZE	SKALA / SCALE	Wszystkie wymiary podano w [mm] All dimensions in [mm]			PROJEKT	PROJEKT	ZŁOŻENIE	SUB ASSEMBLY	RYSUNEK	DRAWING	ARKUSZ SHEET	WER REV
A3	1:1				--		--		01		1 Z OF 1	