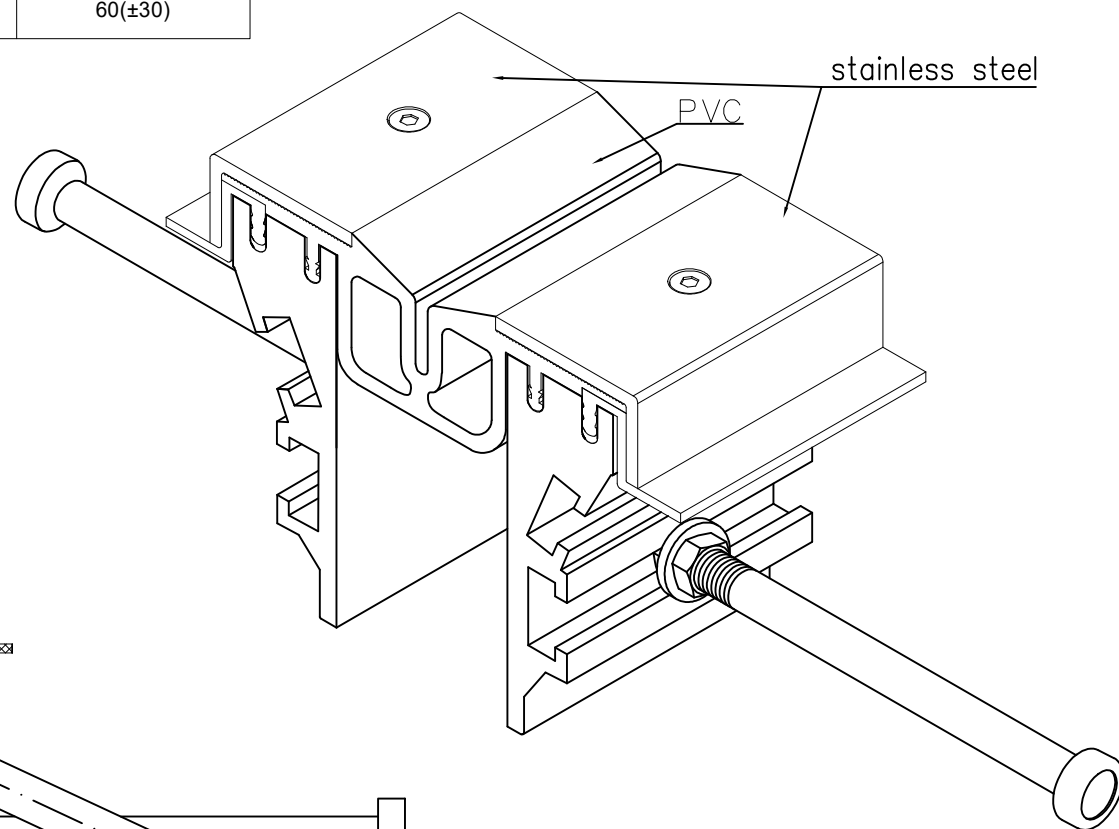


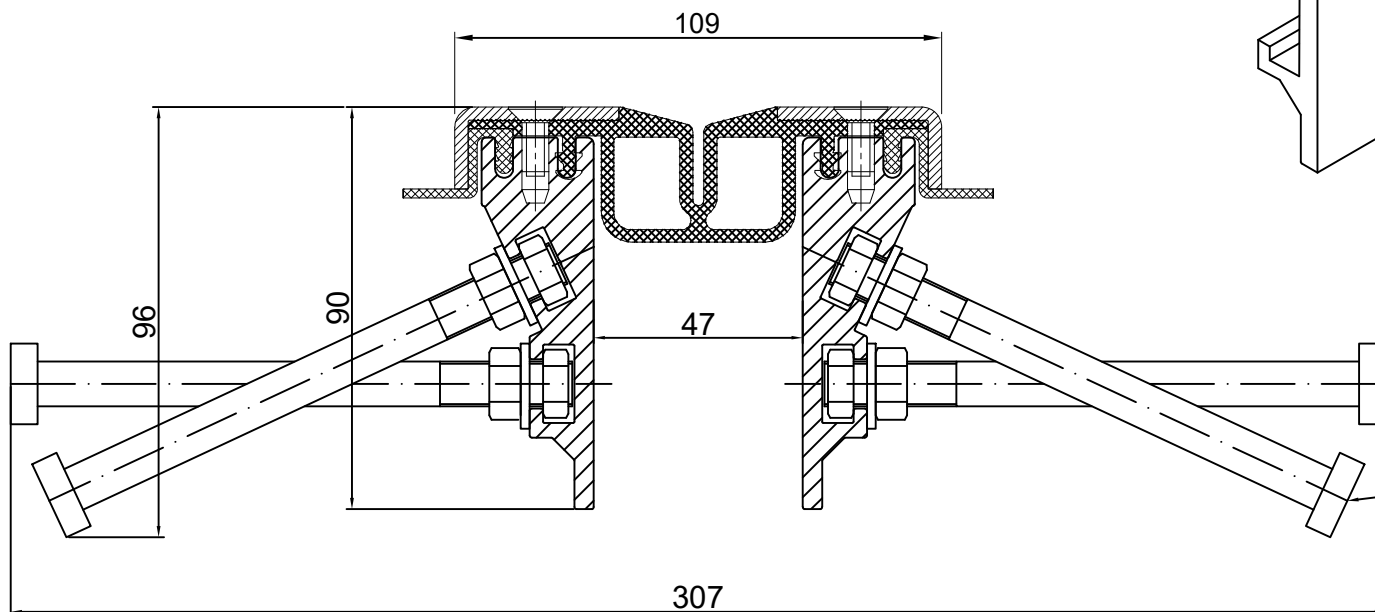
INFORMATION TABLE

Profile type	Visible element [mm]	Joint width [mm]	Base width [mm]	Installation height [mm]	Material type	Maximum load [kN]	Horizontal/Vertical compensation [mm]
GA 63.30.90& S +Galv studs	109	47	307	90/96	Aluminum, PVC, steel	300	60(±30)

CONECTO GA 63.30.90& S VIEW



CONECTO GA 63.30.90& S SECTION



galvanized steel studs

Expansion joint Conecto Park  
GA 63.30.90& S  
galvanized studs and PVC

Conecto Profiles Sp. z o.o.  
ul. Przemysłowa 39  
61-541 Poznań  
www.conecto-profiles.com



ROZMIAR / SIZE  
A3

SKALA / SCALE  
1:1

Wszystkie wymiary podano w [ mm ]  
All dimensions in [ mm ]

PROJEKT	PROJECT	ZŁOŻENIE	SUB ASSEMBLY	RYСУNEK	DRAWING	ARKUSZ SHEET	VER REV
--		--		01		1 Z OF 1	