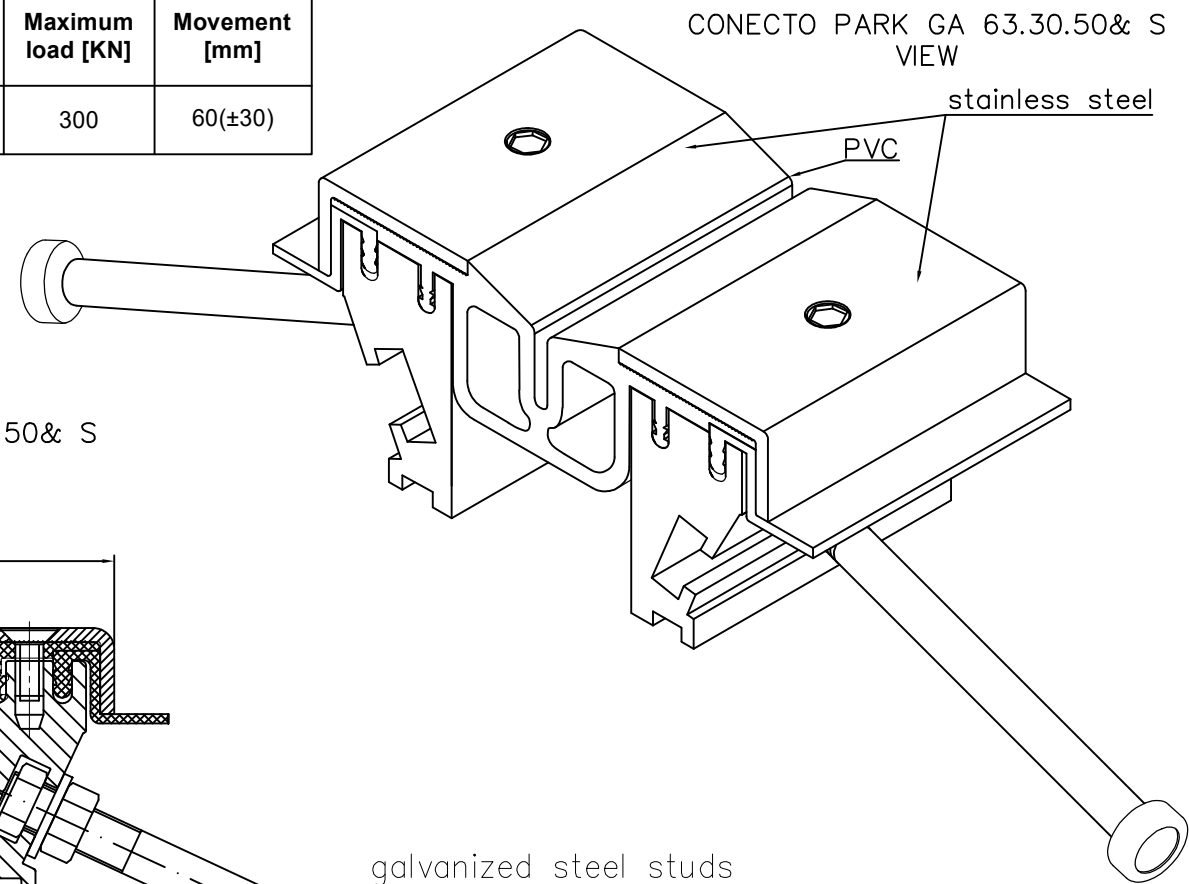
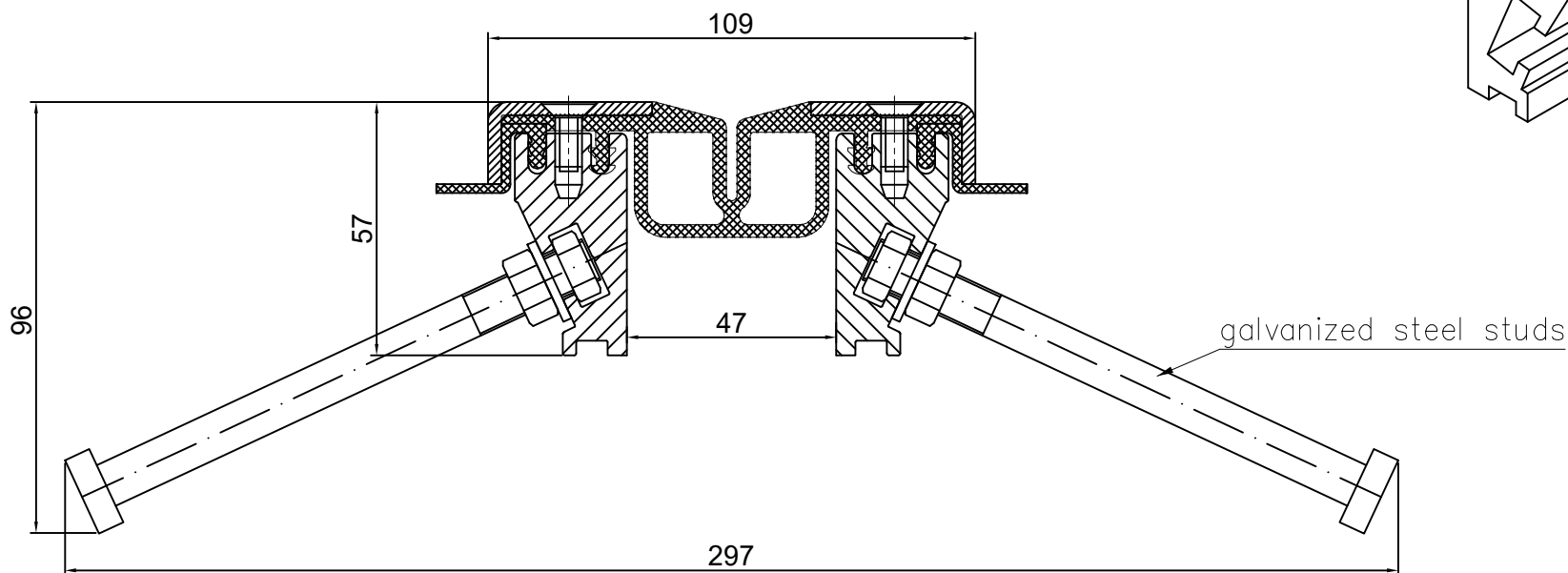


INFORMATION TABLE

Type of profile	Visible element [mm]	Gap width [mm]	Base width [mm]	Installation height [mm]	Material type	Maximum load [KN]	Movement [mm]
GA 63.30.50& S +Galv studs	109	47	297	57 / 96	Aluminum, PVC, steel	300	60(±30)



CONECTO PARK GA 63.30.50& S SECTION



Expansion joint Conecto Park
GA 63.30.50& S

Conecto Profiles Sp. z o.o.
ul. Przemysłowa 39
61-541 Poznań
www.conecto-profiles.com



ROZMIAR / SIZE A3	SKALA / SCALE 1:1	Wszystkie wymiary podano w [mm] All dimensions in [mm]
----------------------	----------------------	---

PROJEKT	PROJECT	ZŁOŻENIE	SUB ASSEMBLY	RYСУNEK	DRAWING	ARKUSZ SHEET	VER REV
--	--	--	--	01	01	1 Z OF 1	