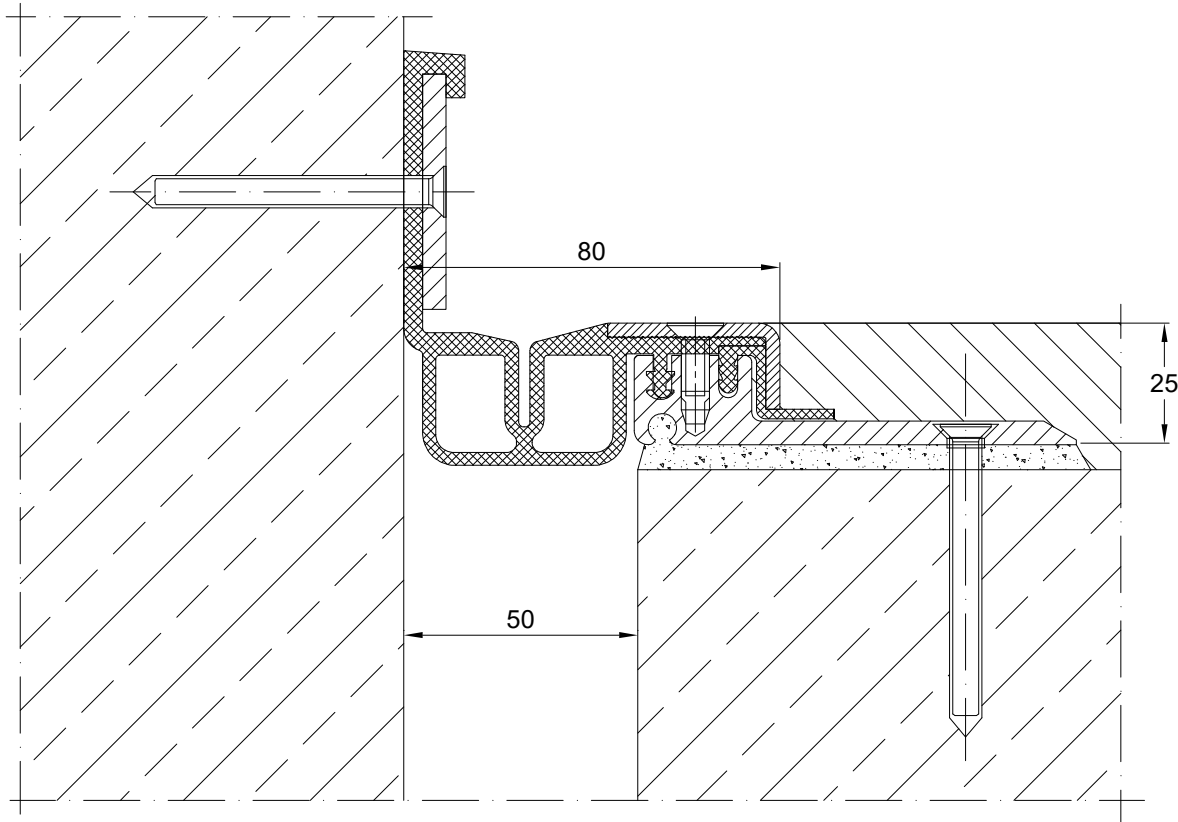


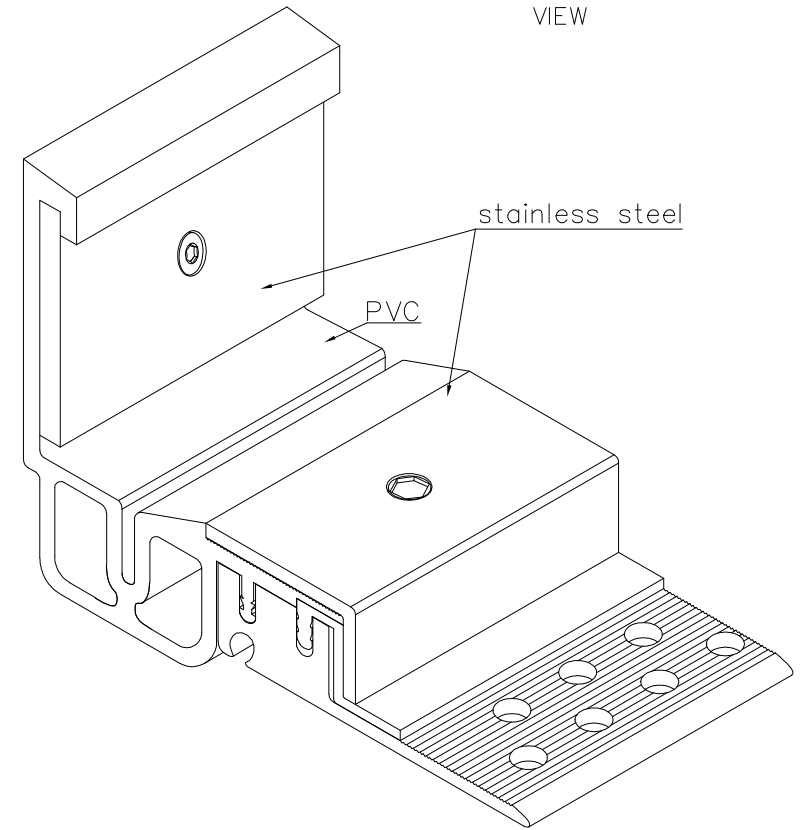
INFORMATION TABLE

Profile type	Visible element [mm]	Joint width [mm]	Base width [mm]	Installation height [mm]	Material type	Maximum load [kN]	Horizontal/Vertical compensation [mm]
GA 63.30.25 S CV	80	50	143	25	Aluminum, PVC, steel	300	60(±30)

CONECTO GA 63.30.25 S CV
SECTION



CONECTO GA 63.30.25 S CV
VIEW



Expansion joint
Conecto Park GA 63.30.25 S CV

Conecto Profiles Sp. z o.o.
ul. Przemysłowa 39
61-541 Poznań
www.conecto-profiles.com



ROZMIAR / SIZE A3 SKALA / SCALE 1:1 Wszystkie wymiary podano w [mm]
All dimensions in [mm]

PROJEKT	PROJECT	ZŁOŻENIE	SUB ASSEMBLY	RYSUNEK	DRAWING	ARKUSZ	SHEET	WER	REV
--	--	--	--	01	01	1	Z OF	1	