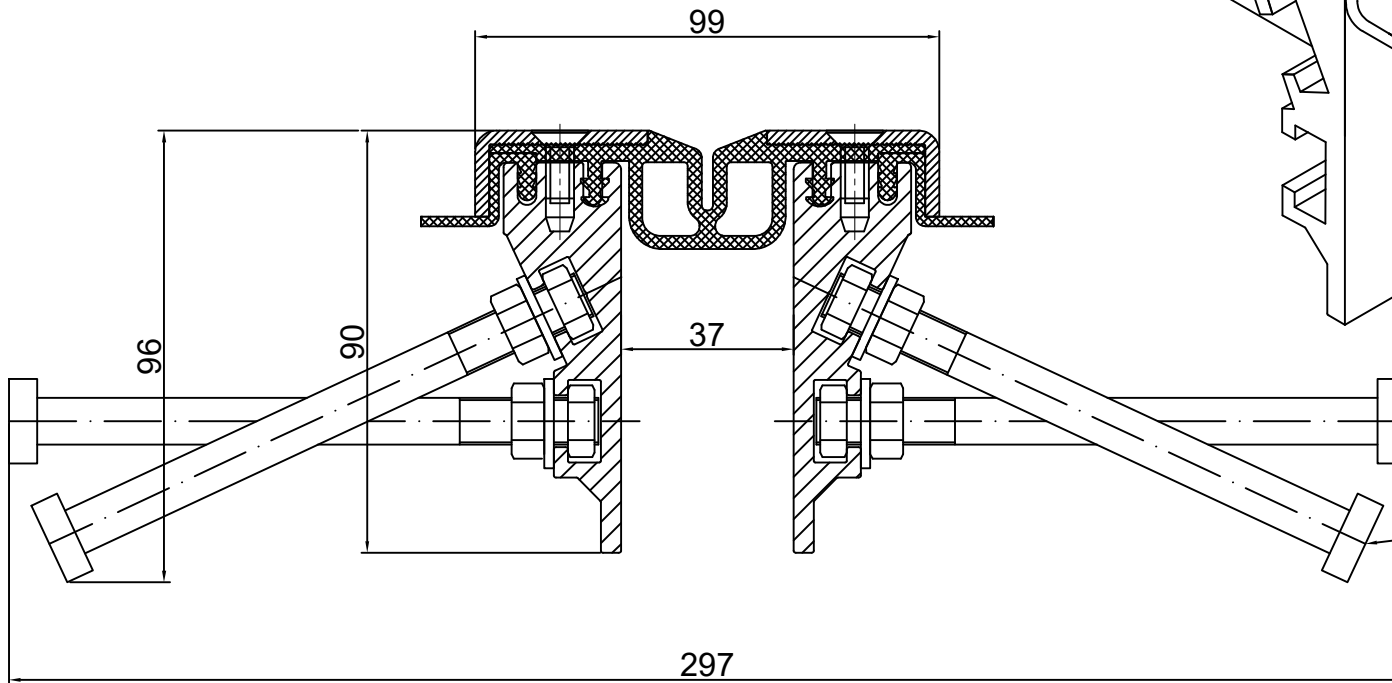


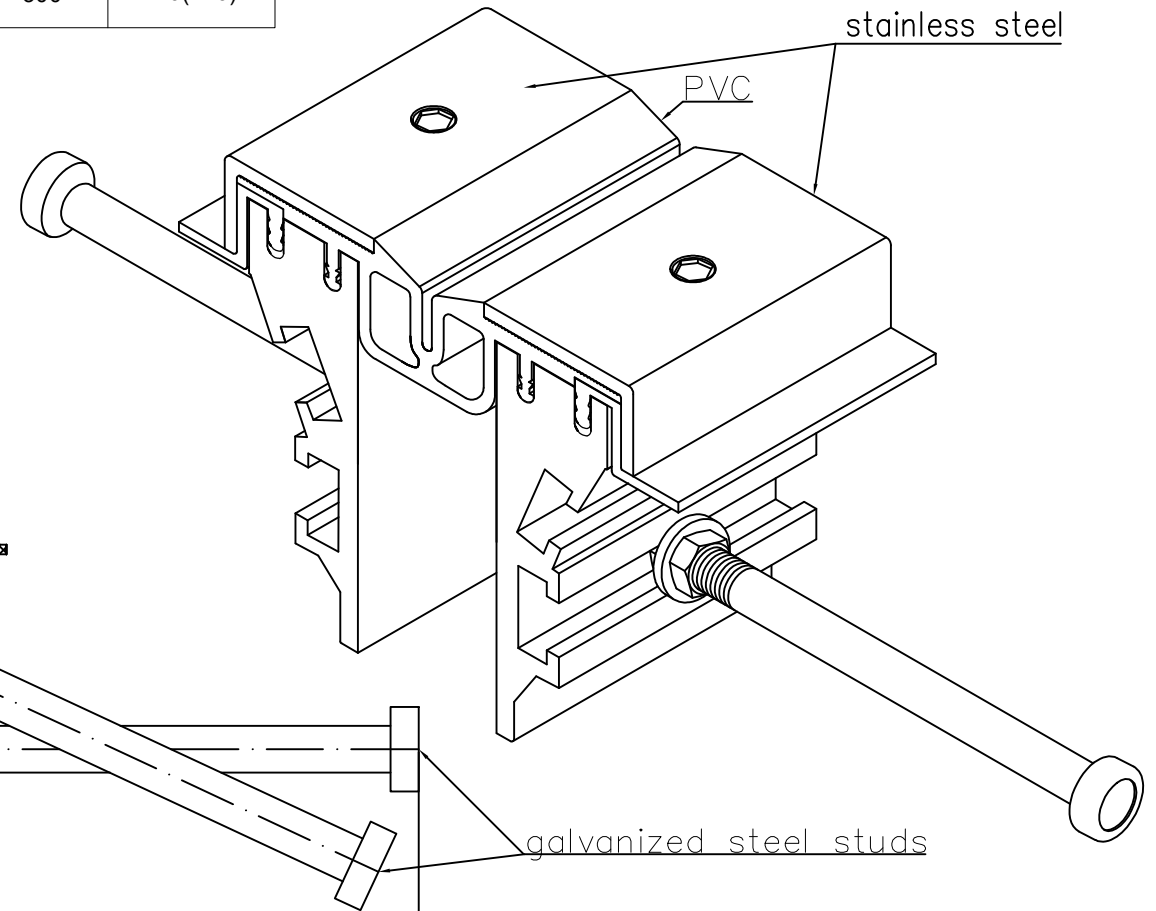
INFORMATION TABLE

Type of profile	Visible element [mm]	Gap width [mm]	Base width [mm]	Installation height [mm]	Material type	Maximum load [kN]	Compensation [mm]
GA 50.20.90& S + galv. studs	99	37	297	90/96	Aluminum, PVC, steel	300	40(±20)

CONECTO GA 50.20.90& S SECTION



CONECTO GA 50.20.90& S VIEW



Expansion joint Conecto Park
GA 50.20.90& S
galvanized studs and PVC

Conecto Profiles Sp. z o.o.
ul. Przemysłowa 39
61-541 Poznań
www.conecto-profiles.com



ROZMIAR / SIZE A3	SKALA / SCALE 1:1	Wszystkie wymiary podano w [mm] All dimensions in [mm]
----------------------	----------------------	---

PROJEKT	PROJECT	ZŁOŻENIE	SUB ASSEMBLY	RYSUNEK	DRAWING	ARKUSZ SHEET	VER REV
--	--	--	--	01	01	1 Z OF 1	