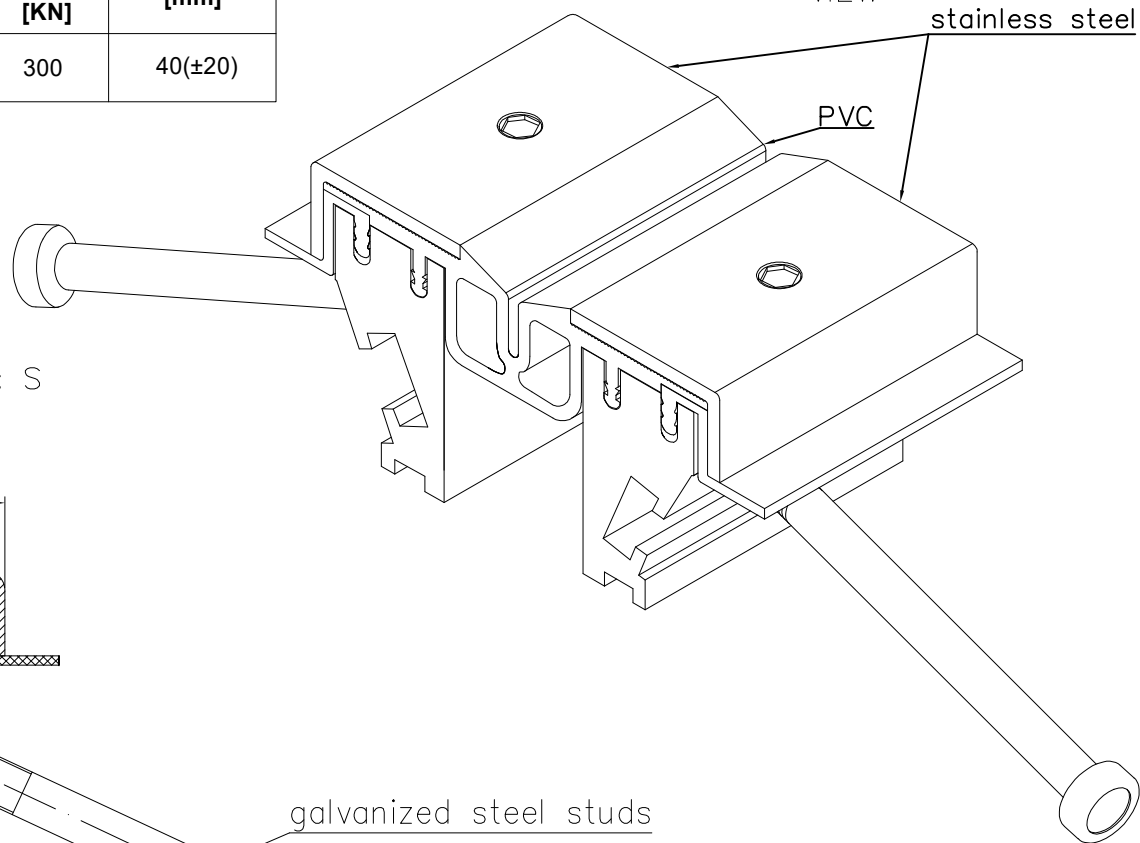


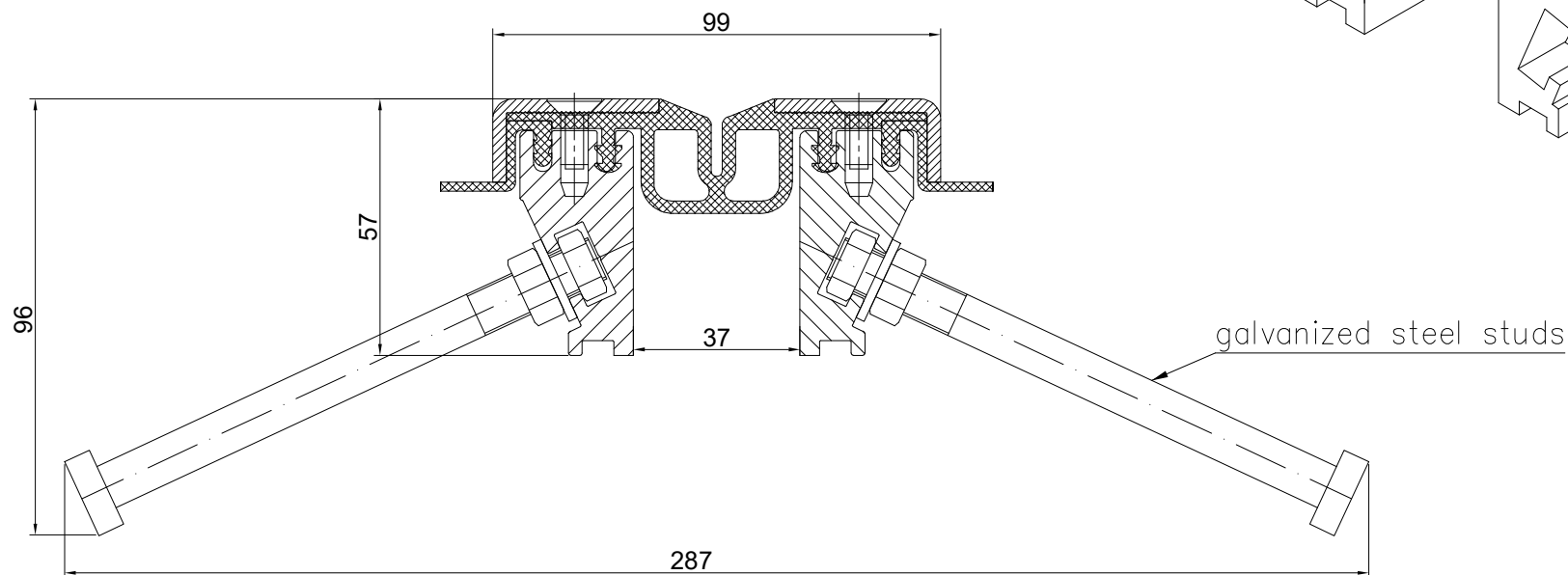
INFORMATION TABLE

Type of profile	Visible element [mm]	Gap width [mm]	Base width [mm]	Installation height [mm]	Material type	Maximum load [kN]	Compensation [mm]
GA 50.20.50& S +galv studs	99	37	287	57 / 96	Aluminum, PVC, steel	300	40(±20)

CONECTO PARK GA 50.20.50& S VIEW



CONECTO PARK GA 50.20.50& S SECTION



Expansion joint Conecto Park
GA 50.20.50& S

Conecto Profiles Sp. z o.o.
ul. Przemysłowa 39
61-541 Poznań
www.conecto-profiles.com



ROZMIAR / SIZE A3	SKALA / SCALE 1:1	Wszystkie wymiary podano w [mm] All dimensions in [mm]
----------------------	----------------------	---

PROJEKT	PROJECT	ZŁOŻENIE	SUB ASSEMBLY	RYSUNEK	DRAWING	ARKUSZ SHEET	WER REV
--	--	--	--	01	01	1 Z OF 1	