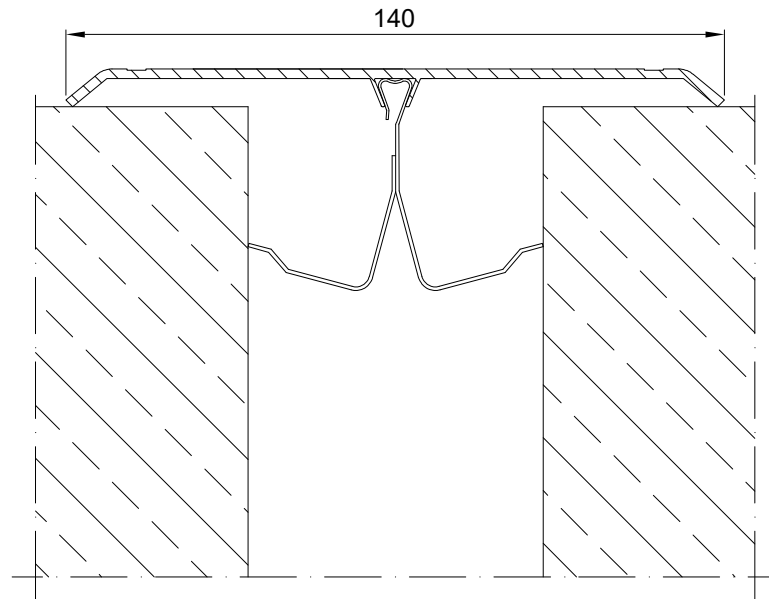


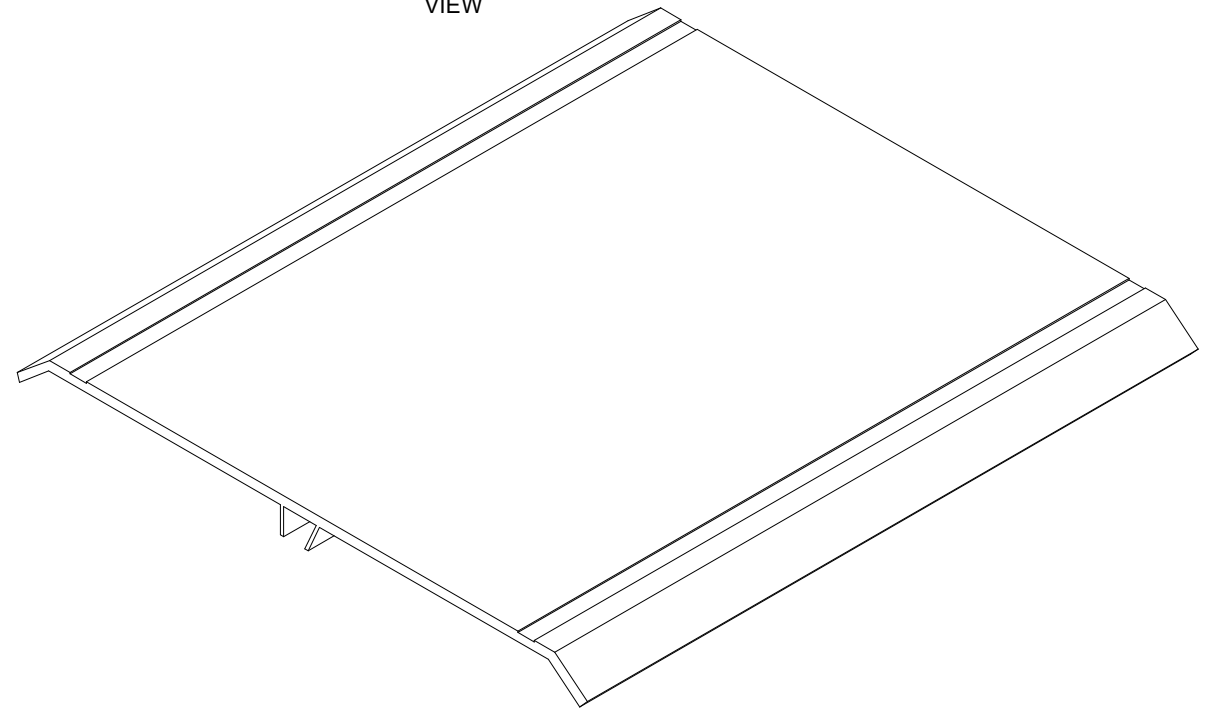
INFORMATION TABLE

Profile type	Visible element [mm]	Joint width [mm]	Method of installation	Material type	Color
JW 140	140	max 120	cover	Aluminum	Anode

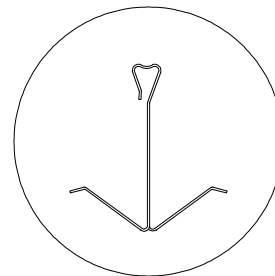
CONECTO JW 140 SECTION



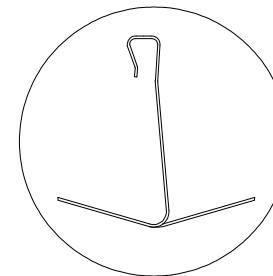
CONECTO JW 140 VIEW



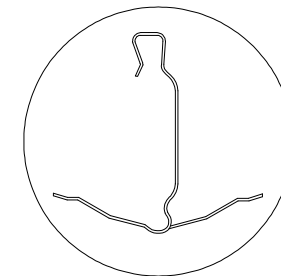
TYPES OF CLIPS:



width 15–35mm



width 35–80mm



width 70–120mm

Expansion joint Conecto
JW 140

Conecto Profiles Sp. z o.o.
ul. Przemysłowa 39
61-541 Poznań
www.conecto-profiles.com



ROZMIAR / SIZE A3	SKALA / SCALE 1:1	Wszystkie wymiary podano w [mm] All dimensions in [mm]
----------------------	----------------------	---

PROJEKT	PROJECT	ZŁOŻENIE	SUB ASSEMBLY	RYSUNEK	DRAWING	ARKUSZ SHEET	WER REV
--		--		01		1 Z OF 1	