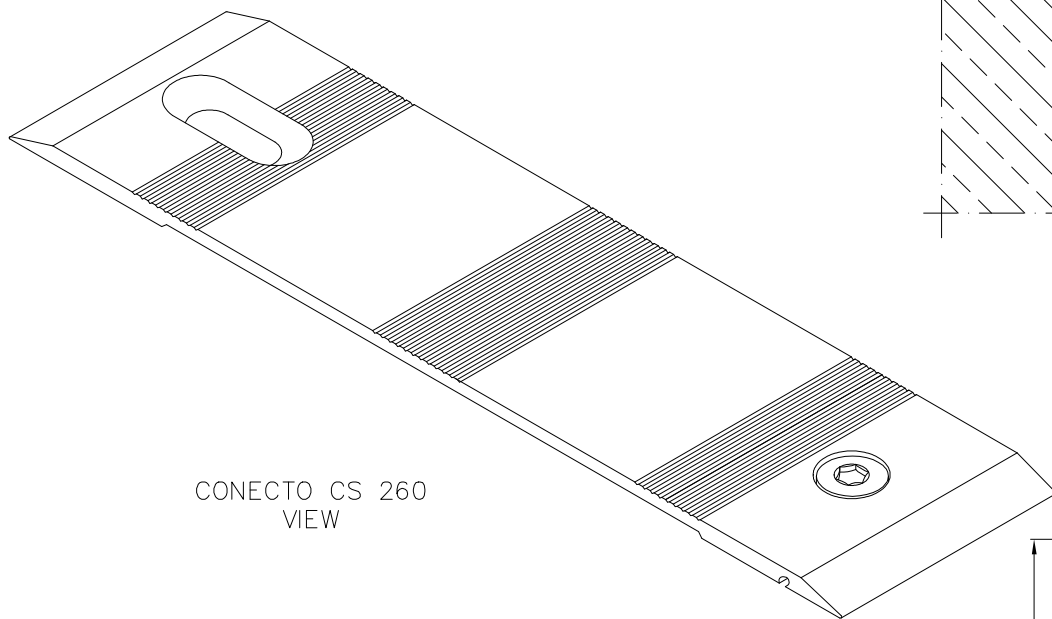
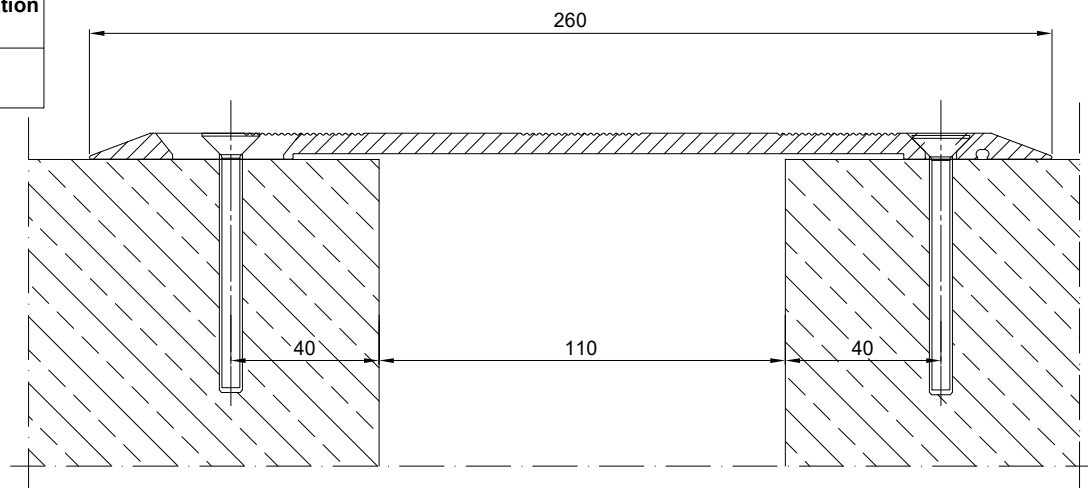


INFORMATION TABLE

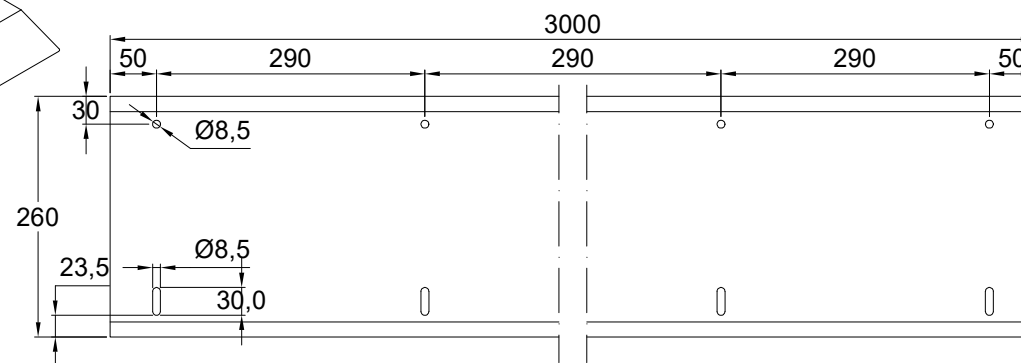
Profile type	Visible element [mm]	Joint width [mm]	Installation height [mm]	Material type	Max load [kN]	Horizontal compensation [mm]
CS 260	260	max 110	7	Aluminium	45	±15

CONECTO CS 260
SECTION



CONECTO CS 260
VIEW

CONECTO CS 260 –
PARALLEL BILATERAL HOLES
TOP VIEW
SCALE 1: 4



Expansion joint Conecto CS 260
parallel bilateral holes

Conecto Profiles Sp. z o.o.
ul. Przemysłowa 39
61-541 Poznań
www.conecto-profiles.com



ROZMIAR / SIZE
--

SKALA / SCALE
--

Wszystkie wymiary podano w [mm]
All dimensions in [mm]

PROJEKT	PROJECT	ZŁOŻENIE	SUB ASSEMBLY	RYSUNEK	DRAWING	ARKUSZ SHEET	WER REV
--	--	--	--	01	01	1 Z OF 1	