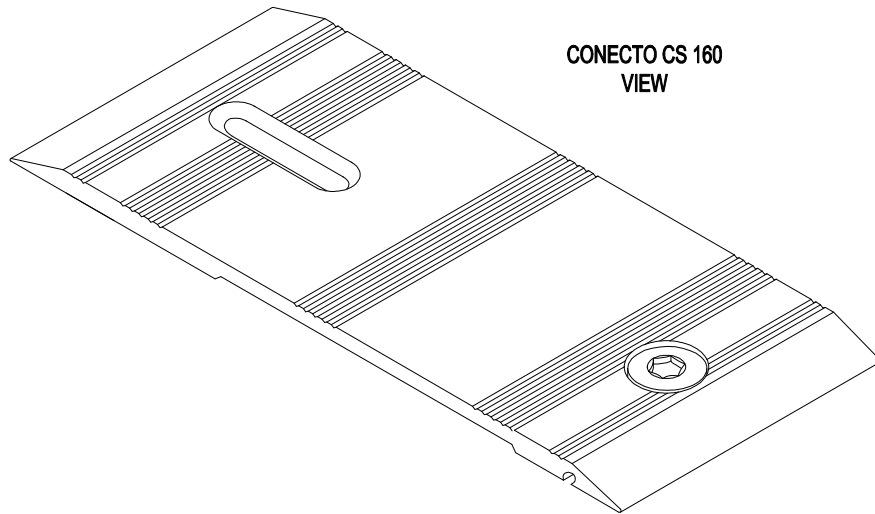
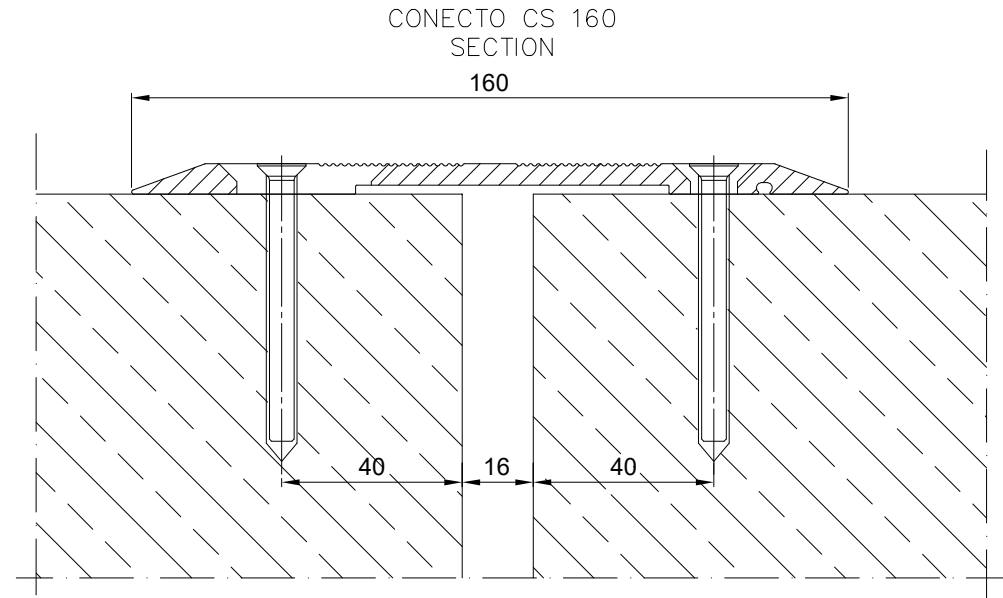


INFORMATION TABLE

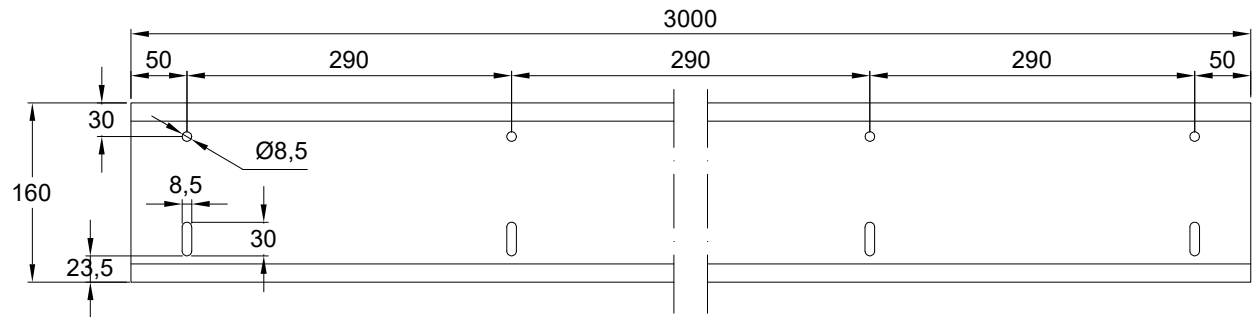
Profile type	Visible element [mm]	Joint width [mm]	Installation height [mm]	Material type	Max load [kN]	Horizontal compensation [mm]
CS 160	160	max 16	7	Aluminum	60	±15



CONECTO CS 160
VIEW



CONECTO CS 160 -
PARALLEL BILATERAL HOLES
VIEW
SCALE 1:4



Expansion joint Conecto CS 160
with parallel bilateral holes

Conecto Profiles Sp. z o.o.
ul. Przemysłowa 39
61-541 Poznań
www.conecto-profiles.com



ROZMIAR / SIZE A3	SKALA / SCALE 1:1	Wszystkie wymiary podano w [mm] All dimensions in [mm]
----------------------	----------------------	---

PROJEKT PROJECT	ZŁOŻENIE SUB ASSEMBLY	RYSUNEK DRAWING	ARKUSZ SHEET	WER REV
--	--	01	1 Z OF 1	