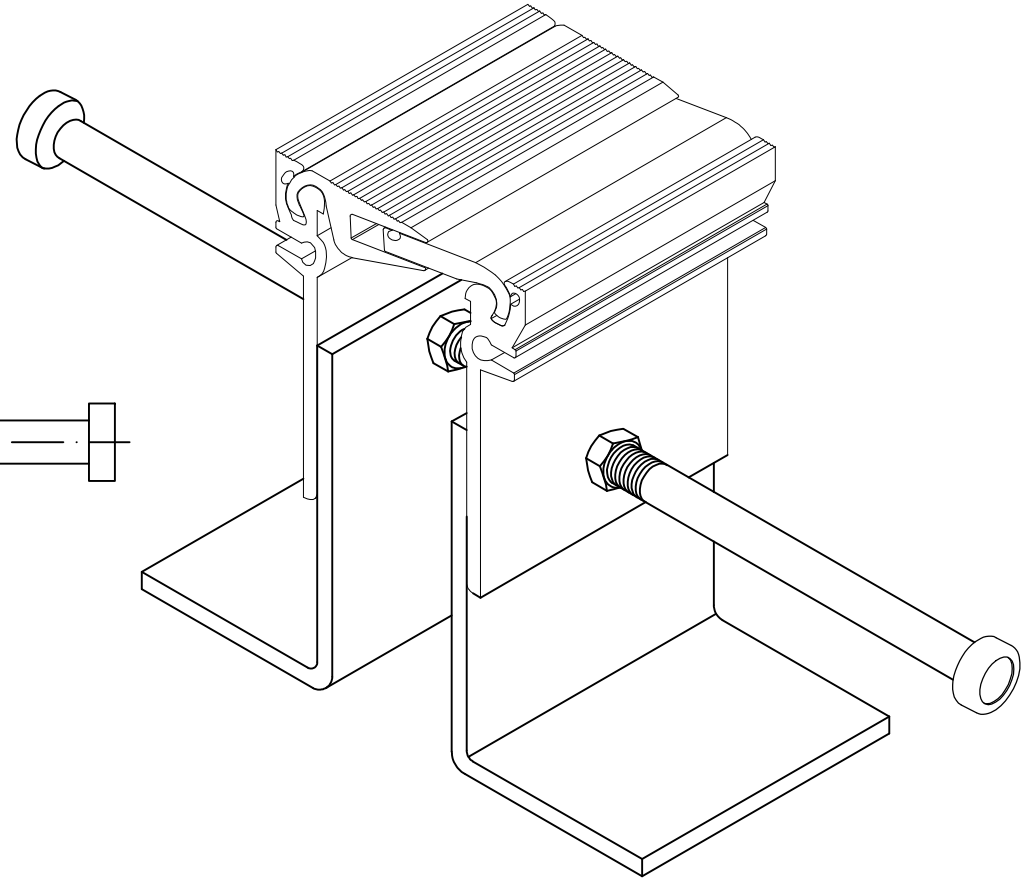
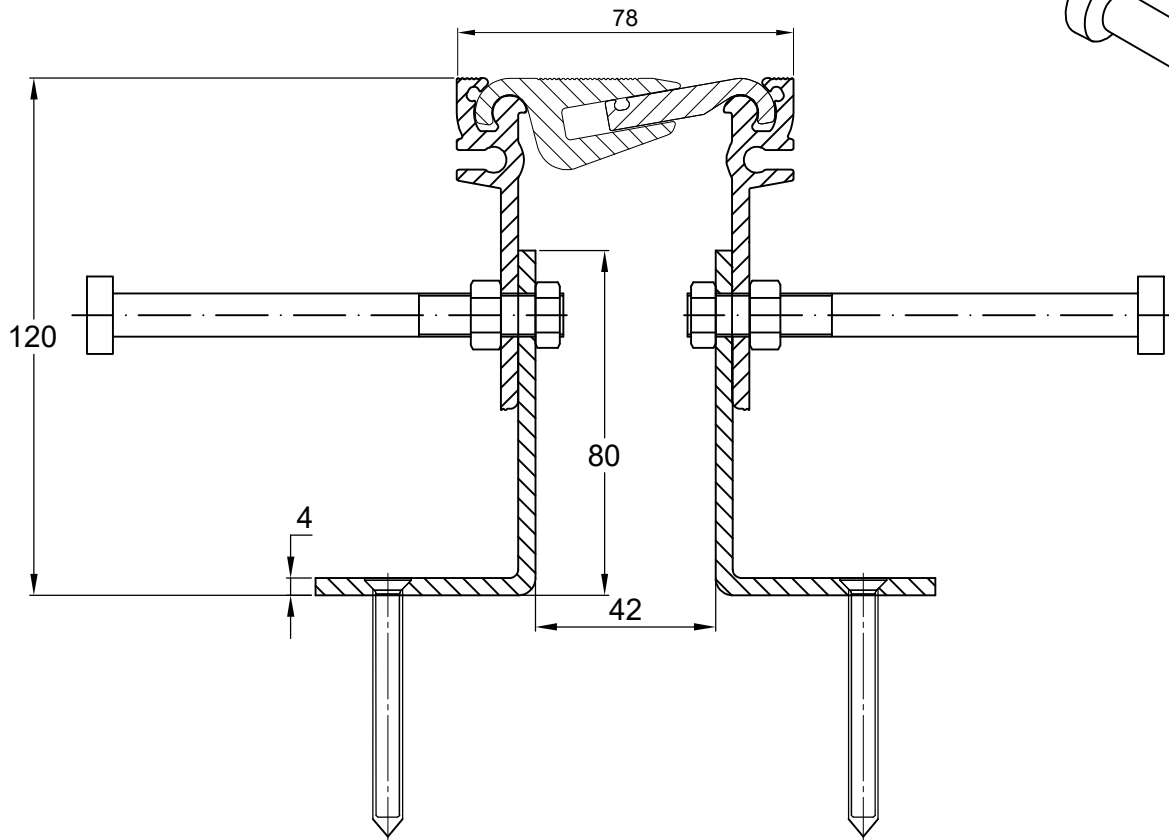


TABELA INFORMACYJNA

| Profile type | Visible element [mm] | Joint width [mm] | Base width [mm] | Installation height [mm] | Material type | Maximum load [KN] | Horizontal/vertical compensation [mm] |
|---------------|----------------------|------------------|-----------------|--------------------------|---------------------------------|-------------------|---------------------------------------|
| AL 78.10.120& | 78 | max 42 | 250 | 120 | Aluminum galvanized steel studs | 100 | 20(±10) -16/+14 |

CONECTO AL 78.10.120&
VIEW

CONECTO AL 78.10.120&
SECTION



Expansion joint Conecto
AL 78.10.120&

Conecto Profiles Sp. z o.o.
ul. Przemysłowa 39
61-541 Poznań
www.conecto-profiles.com



| | | |
|----------------------|----------------------|---|
| ROZMIAR / SIZE A3 | SKALA / SCALE 1:1 | Wszystkie wymiary podano w [mm] All dimensions in [mm] |
|----------------------|----------------------|---|

| PROJEKT | PROJECT | ZŁOŻENIE | SUB ASSEMBLY | RYСУNEK | DRAWING | ARKUSZ SHEET | WER REV |
|---------|---------|----------|--------------|---------|---------|--------------|---------|
| -- | -- | -- | -- | 01 | 01 | 1 Z OF 1 | |