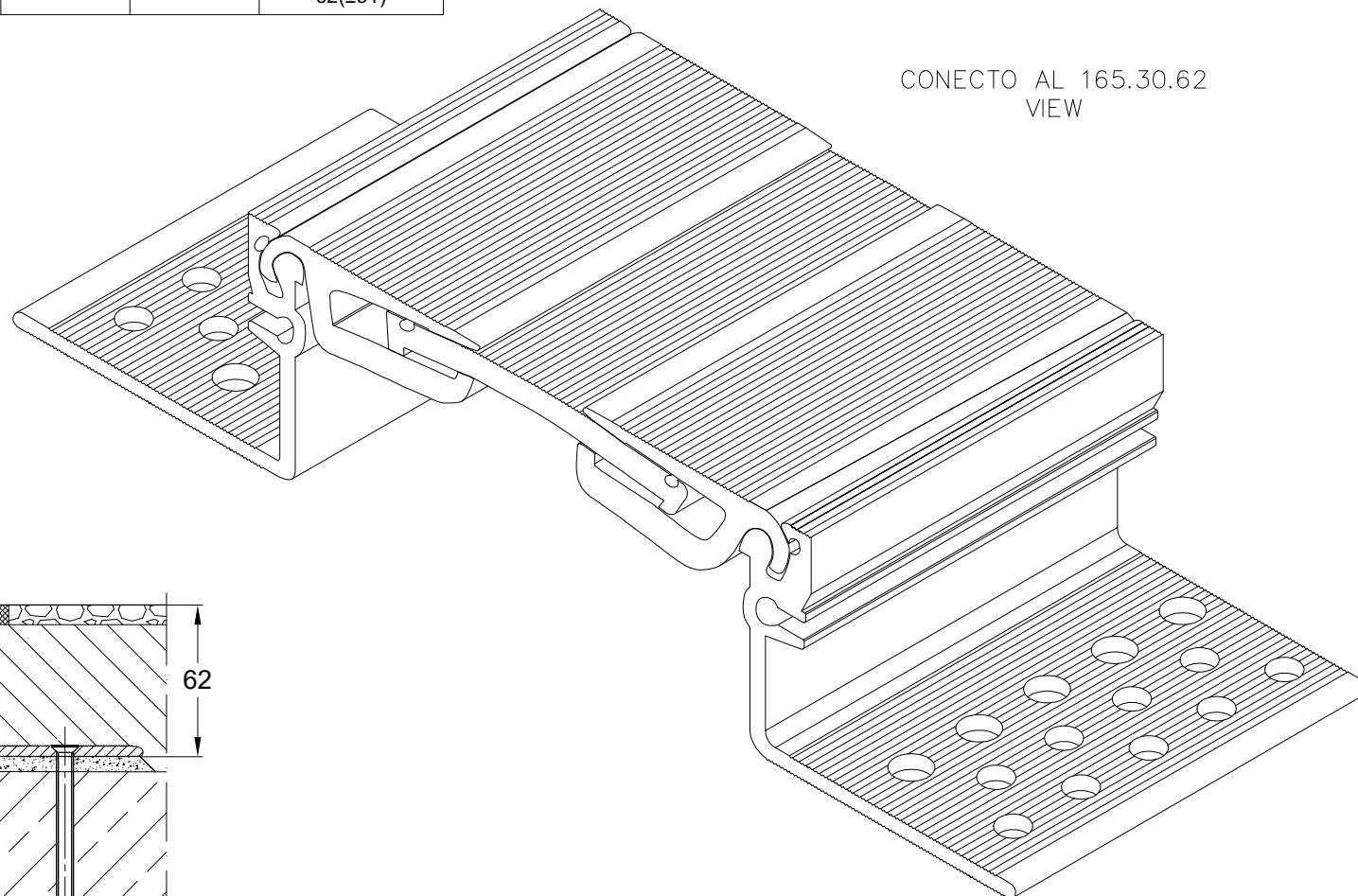


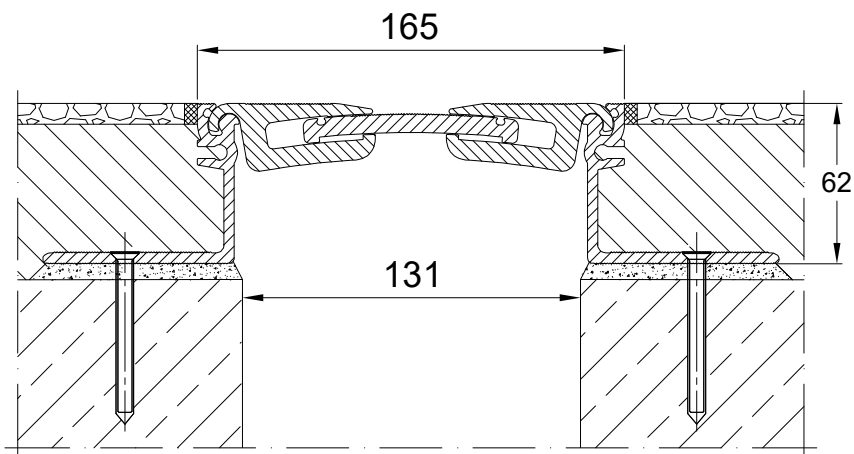
INFORMATION TABLE

| Profile type | Visible element [mm] | Joint width [mm] | Base width [mm] | Installation height [mm] | Material type | Maximum load [KN] | Horizontal/vertical compensation [mm] |
|--------------|----------------------|------------------|-----------------|--------------------------|---------------|-------------------|---------------------------------------|
| AL 165.30.62 | 165 | 131 | 284 | 62 | Aluminum | 70 | 60(±30) 62(±31) |

CONECTO AL 165.30.62
VIEW



CONECTO AL 165.30.62
SECTION
SCALE 1:2



Expansion joint Conecto
AL 165.30.62

Conecto Profiles Sp. z o.o.
ul. Przemysłowa 39
61-541 Poznań
www.conecto-profiles.com



| | | |
|----------------------|----------------------|---|
| ROZMIAR / SIZE A3 | SKALA / SCALE 1:1 | Wszystkie wymiary podano w [mm] All dimensions in [mm] |
|----------------------|----------------------|---|

| PROJEKT | PROJECT | ZŁOŻENIE | SUB ASSEMBLY | RYSUNEK | DRAWING | ARKUSZ | SHEET | VER | REV |
|---------|---------|----------|--------------|---------|---------|--------|---------|-----|-----|
| -- | | -- | | 01 | | 1 | Z OF | 1 | |