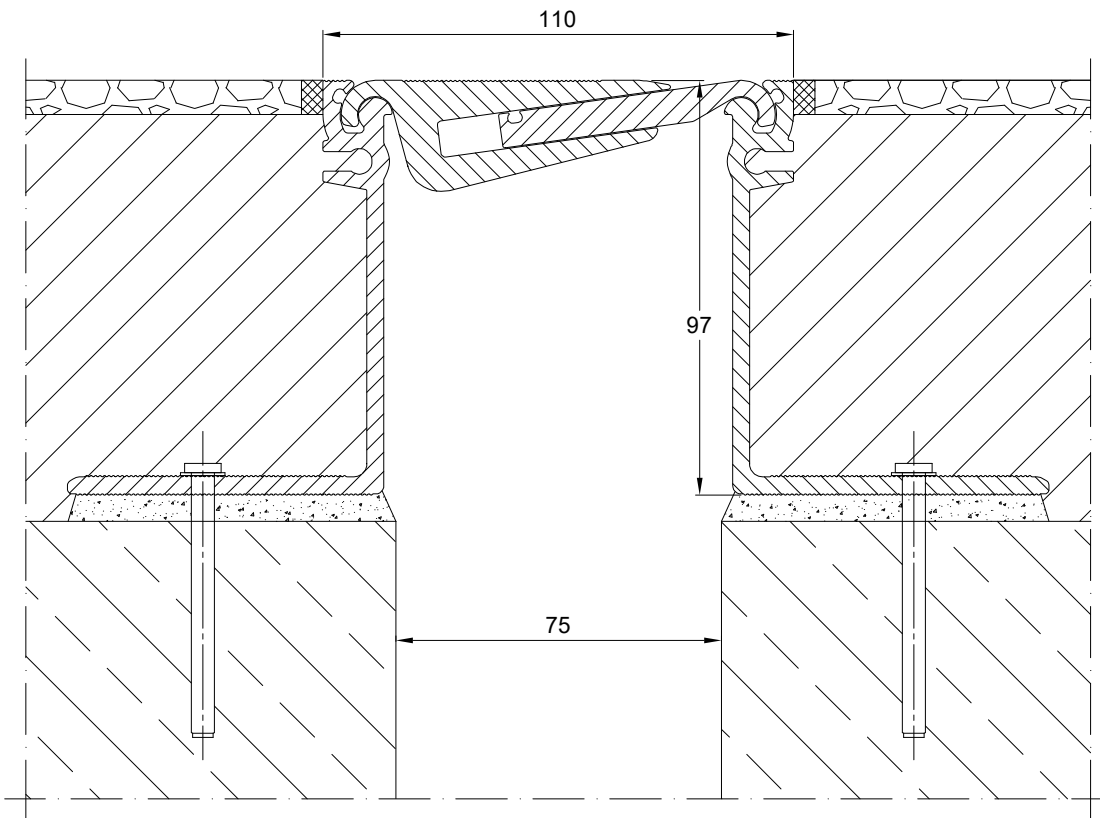


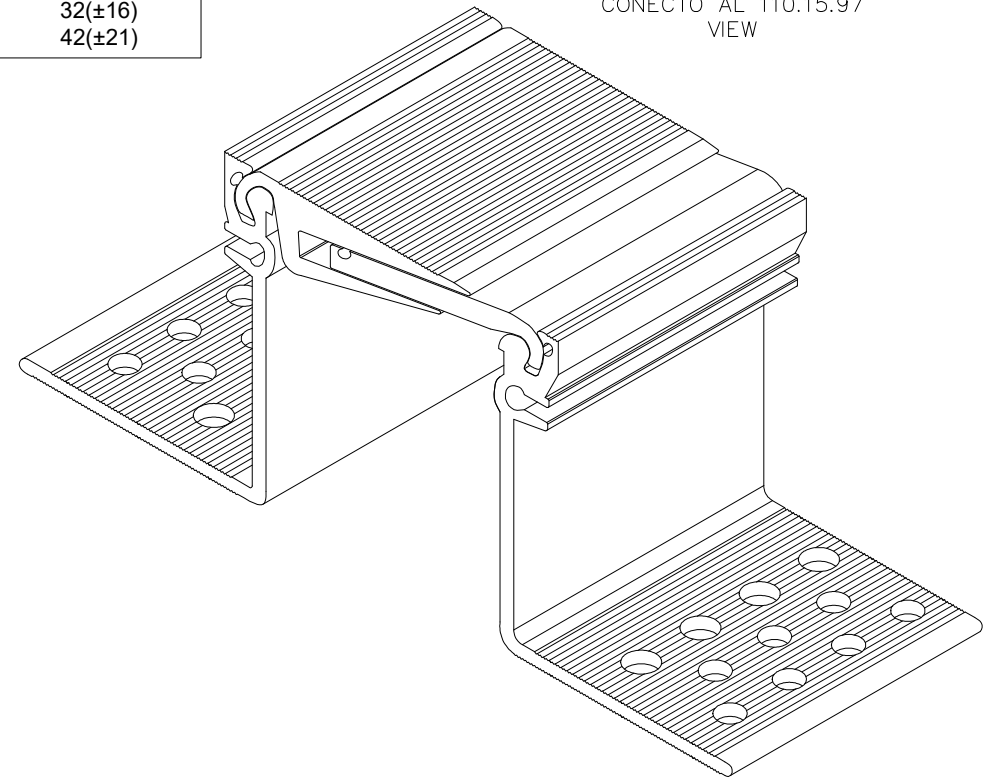
INFORMATION TABLE

| Profile type | Visible element [mm] | Joint width [mm] | Base width [mm] | Installation height [mm] | Material type | Maximum load [KN] | Horizontal/vertical compensation [mm] |
|--------------|----------------------|------------------|-----------------|--------------------------|---------------|-------------------|---------------------------------------|
| AL 110.15.97 | 110 | max 75 | 225 | 97 | Aluminum | 70 | 32(±16) 42(±21) |

CONECTO AL 110.15.97
SECTION



CONECTO AL 110.15.97
VIEW



Expansion joint Conecto
AL 110.15.97

Conecto Profiles Sp. z o.o.
ul. Przemysłowa 39
61-541 Poznań
www.conecto-profiles.com



| | | |
|----------------------|----------------------|---|
| ROZMIAR / SIZE A3 | SKALA / SCALE 1:1 | Wszystkie wymiary podano w [mm] All dimensions in [mm] |
|----------------------|----------------------|---|

| PROJEKT | PROJECT | ZŁOŻENIE | SUB ASSEMBLY | RYSUNEK | DRAWING | ARKUSZ | SHEET | WER | REV |
|---------|---------|----------|--------------|---------|---------|--------|---------|-----|-----|
| -- | -- | -- | -- | 01 | 01 | 1 | Z OF | 1 | |