

I D E A
project
product



 **conecto**
profiles

CONTENTS PROFILES:

1. CLASSIC JOINTS

- a. Conecto Dowel 10NA40-5D
- b. Conecto Dowel 08NA40-5D
- c. Conecto Dowel 06NA40-5D

2. SINUSOIDAL JOINTS

- a. Conecto Sinus 04NS50-4D
- b. Conecto Sinus 06NS50-4D
- c. Conecto Polyamide 06NSTW60
- d. 06NC50/20X40-5D
- e. 06NCC65/20X40-5D
- f. 06NC85-5D
- g. 06NC115-5D

3. OTHER PRODUCTS

- a. Conecto Omega
- b. Strip Joint & Angle Bars

4. REPAIR JOINTS

- a. Conecto Sinus 06NC50-R
- b. Conecto Sinus 06NC110/18-R
- c. Conecto HDS

5. SPECIFIC SOLUTIONS

CONTENTS EXPANSION JOINTS:

1. FLOOR JOINTS
 - a. Conecto ALU
 - b. Conecto ELASTO

2. CAR PARK FLOOR PROFILES
 - a. Conecto CS

3. CAR PARK WATERTIGHT JOINTS
 - a. Conecto PARK GA
 - b. Conecto PARK SL 190
 - c. Conecto PARK SL 210

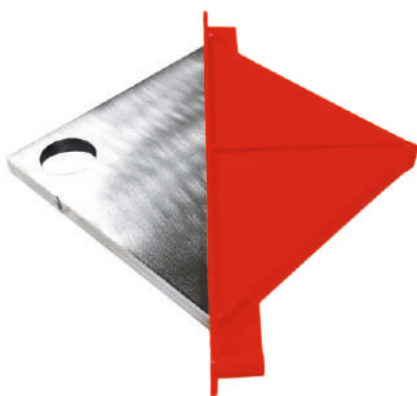
4. WALL AND CEILING JOINTS
 - a. Conecto WA
 - b. Conecto JW

I D E A
project
product

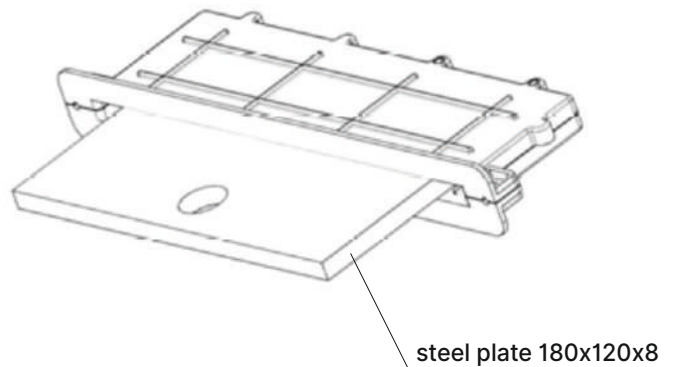




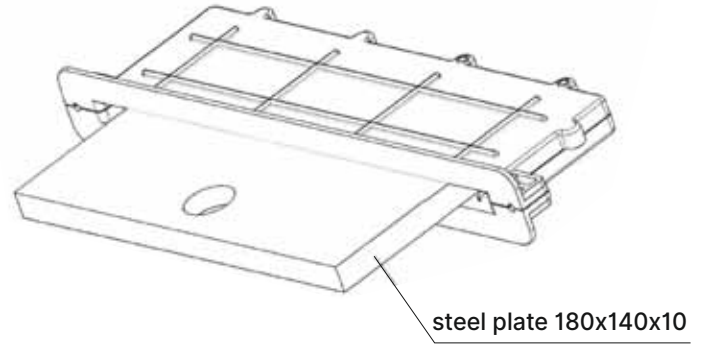
Expansion strips are mounted in concrete floor plates to compensate movements in plate sections. Concrete plates are exposed to internal and external pressures. Damage occurs mainly at the edges of plates near to connections. Connection of floor plates should compensate their mutual horizontal movements (perpendicular and parallel to the expansion joint) which are usually caused by thermal expansion and shrinkage of concrete. At the same time the connection must also block vertical movements and mutual curving of floor elements which is a consequence of traffic, heavy loads and uneven passive earth pressure. Conecto Dowel system are designed to create expansion joints for industrial. Steel armoured joints with their unique construction constitute a stay-in-place formwork and additionally secure concrete floor edges. Conecto Dowel system is a floor expansion joint solution, where an anchoring element is a steel dowel placed in a specifically designed plastic sleeve, which permits free horizontal movement (along and across expansion joints) and prevents vertical movements between expanded floor plates. Plastic elements are provided with proper reinforcements, which protect them against the deformation caused by the concrete pressure (even when the floor is thick). The standard we use 5 dowels (5D) on each 3.000 mm profile length. When more load capacity is needed, we can also produce profiles with 6 dowels (6D) or 7 dowels (7D).



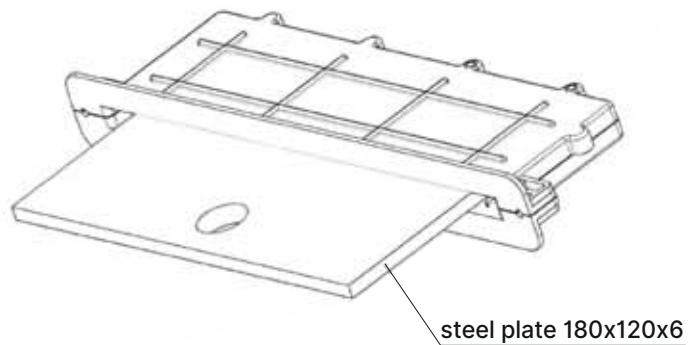
Standard dowel T8



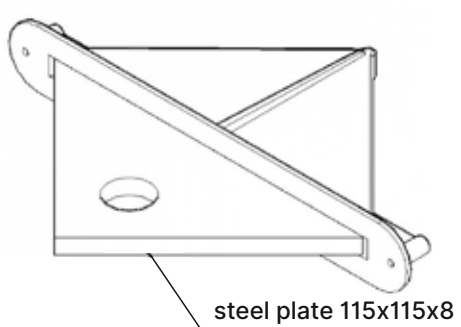
Dowel T10 for more load capacity



Dowel T6 for less load capacity



Dowel 115x115x8 for special needs



Conecto Dowel expansion joints allow for a movement between floor plates:

Load capacity about expansion joints depending on amount of dowels in one joint [kN/lm] steel S355MC, floor concrete C25/30

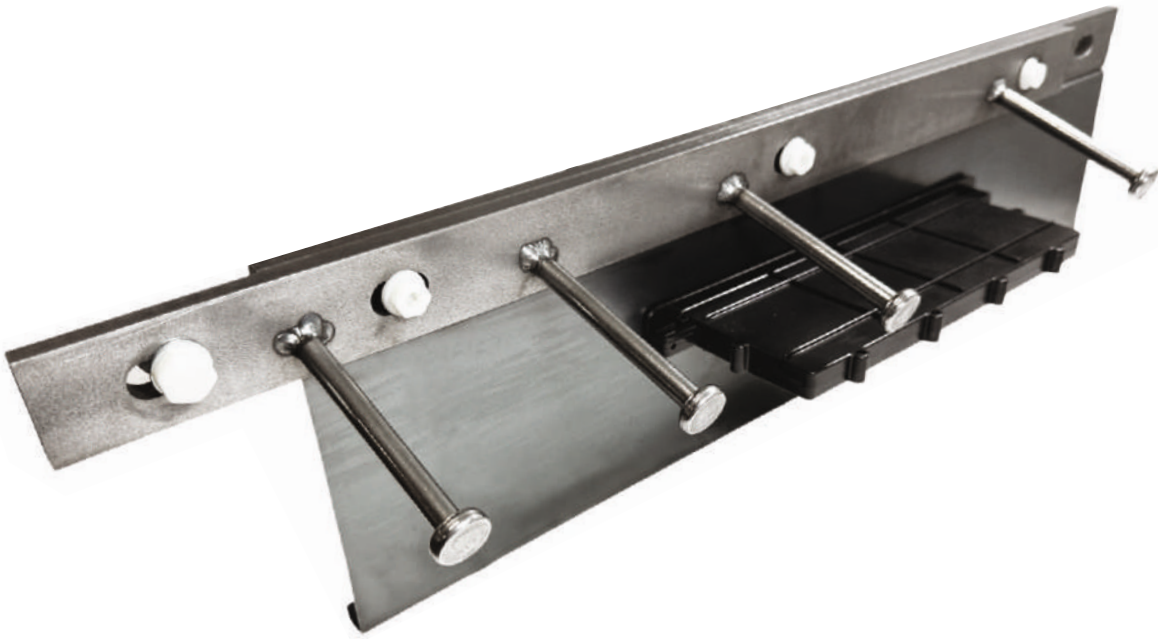
Dowel size 180x120x8mm	opening dilatation						
Amount of dowels (at 3 meter)	0	5	10	15	20	25	cm
5D	248	174	126	96	77	64	kN/lm
6D	297	208	151	116	92	76	kN/lm
7D	346	243	176	135	108	89	kN/lm

Dowel size 180x140x10mm	opening dilatation						
Amount of dowels (at 3 meter)	0	5	10	15	20	25	cm
5D	310	232	178	141	115	96	kN/lm
6D	372	279	214	169	138	115	kN/lm
7D	433	325	249	197	161	135	kN/lm

Dowel size 180x120x6mm	opening dilatation						
Amount of dowels (at 3 meter)	0	5	10	15	20	25	cm
5D	186	116	76	58	45	37	kN/lm
6D	223	140	95	69	54	44	kN/lm
7D	260	163	110	81	63	52	kN/lm

Dowel size 115x115x8mm	opening dilatation						
Amount of dowels (at 3 meter)	0	5	10	15	20	25	cm
5D	224	147	100	71	52	40	kN/lm
6D	269	177	120	85	63	48	kN/lm
7D	313	206	140	99	73	56	kN/lm
8D	358	235	160	114	84	64	kN/lm

This table shows the load at failure in bursting (failure of the concrete) and bending (failure of the dowel) for a joint opening of 25mm. The ultimate load has been calculated in accordance with TR34 (4th edition).



DOWEL 10NA40-5D CROSS-SHAPE



DOWEL 10NA40-5D T-SHAPE



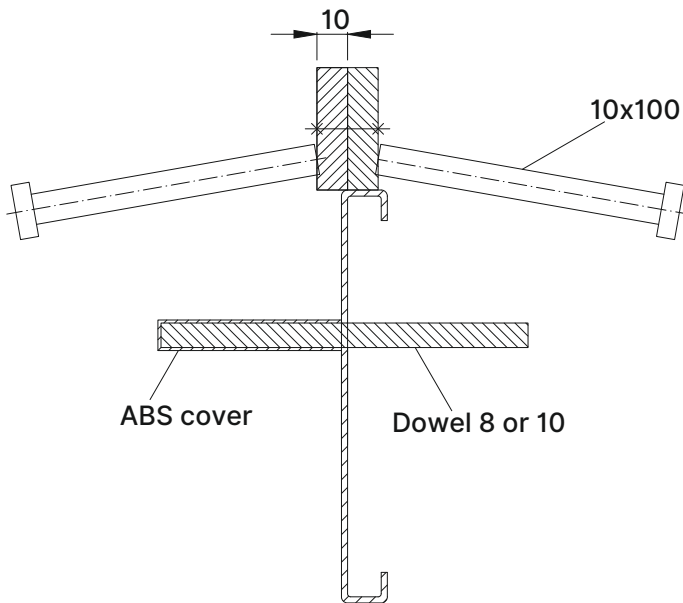
DOWEL 10NA40-5D L-SHAPE



Conecto Dowel is a leading armoured joint system, renowned for its strength, versatility, and reliability. Engineered for heavy-duty performance, it provides exceptional protection and easy installation, making it ideal for large-scale construction. The prefabricated, leave in place design ensures durable free-movement joints, offering long-term stability for ground and pile-supported concrete floors. With its armouring and load transfer capabilities, it delivers superior durability in high-traffic environments.

Places of application

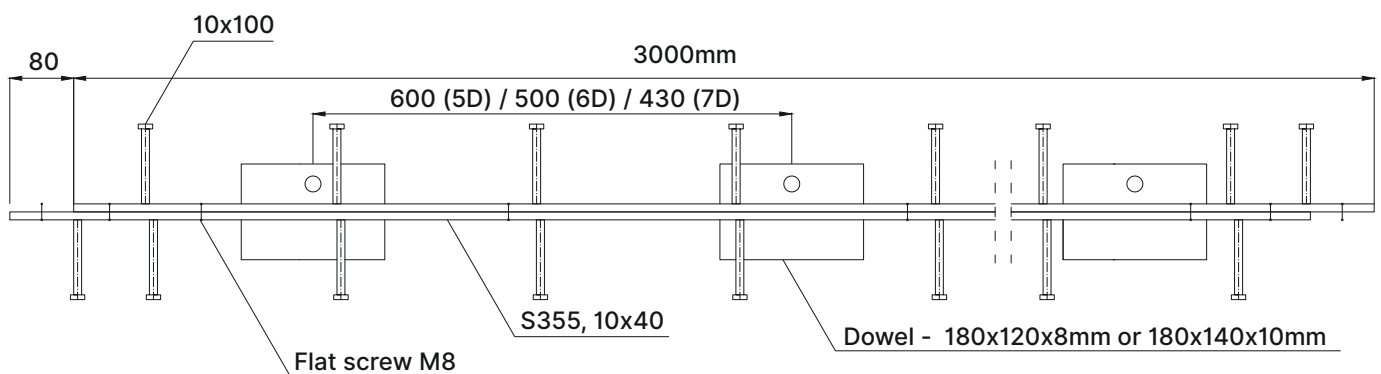
- Industrail floors
- Logistic and distribution centers
- Industrail buildings
- Industrial storage facilities



- Possibility to use flat bars size 6x40mm or 8x40mm
- Possibility to prepare top bars made of galvanized steel or stainless steel
- Possibility to use foam 5mm or 10mm in whole height
- Very big surface of steel dowel standard size 180x120x8, possibility to use dowels - 180x140x10
- Standard space between dowels 600mm (5D)
- Possibility to use more dowels per one joint (6D, 7D) to increase max loads on floor
- Standard grade steel S355
- Plastic cover made of highly resistant ABS plastic

Floor height [mm]	Profile height [mm]	Dowel size [mm]	Dowel spacing [mm]	kg/m
100-110	90	180x120x8	600	10,6
110-130	100			10,76
135-155	125			11,16
160-185	155			11,64
185-205	175			11,96
210-230	200			12,36
235-255	225			12,76
260-280	250			13,16
285-305	275			13,56

- possibility to prepare profiles in any height (every 5mm)
- possibility to prepare profiles of height 50mm, 60mm, 70mm, 80mm
- standard length 3 meters



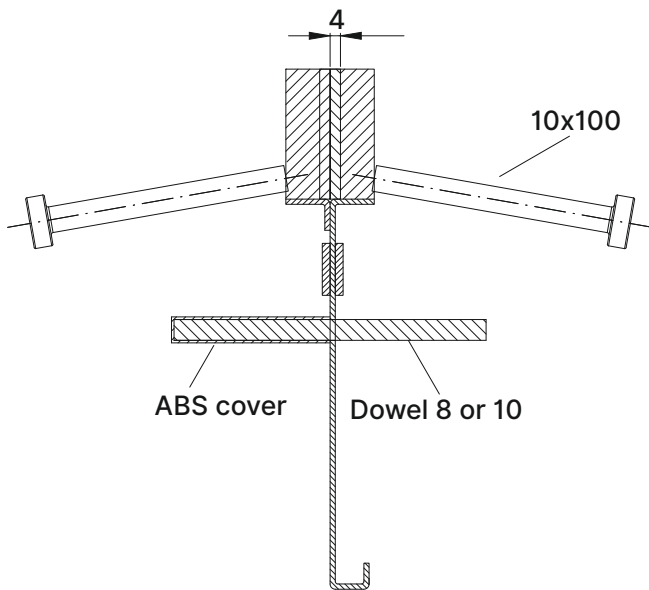


Universal Sinus Connector
 This solution can be used in X, T and L connections

Conecto Sinus 4+4 is durable joint system featuring wave steel top that provide exceptional protection for slab edges. It effectively transfers horizontal loads between adjacent slabs, minimizing vertical displacement. The system enables smooth movement of forklifts and other vehicles, eliminating impact and vibrations. Sinus solution ensures a comfortable experience for forklift operators. Ideal for high-traffic areas, this solution combines strength, reliability, and ease of applications.

Places of application

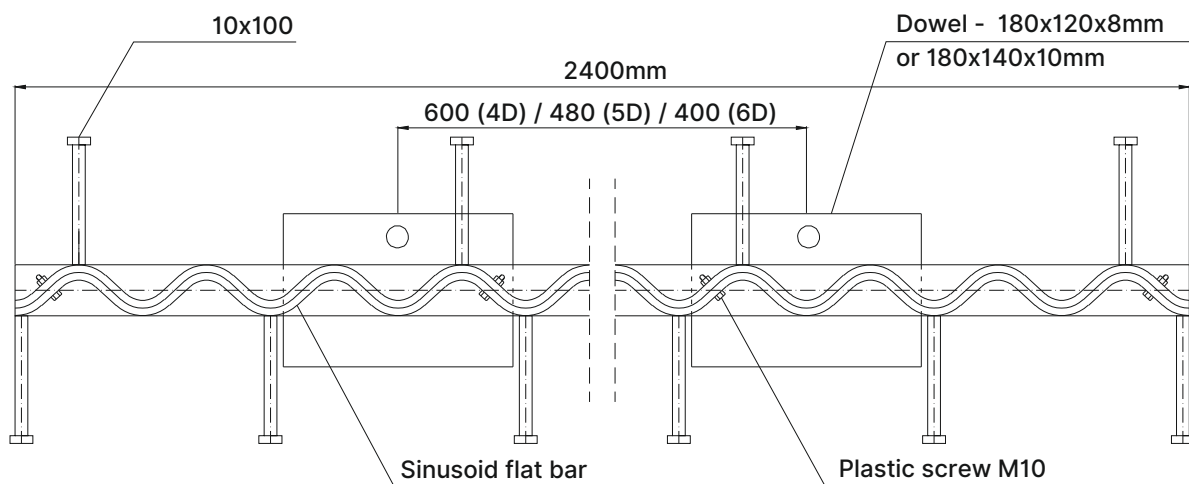
- Industrail floors
- Logistic and distribution centers
- Industrail buildings
- Industrial storage facilities



- Possibility to prepare top sinus from stainless steel
- Very big surface of steel dowel standard size 180x120x8, possibility to use dowels - 180x140x10
- Standard space between dowels 600 (4D)
- Possibility to use more dowels per one joint (5D, 6D)
- Standard grade steel S255, dowel system S355
- Nylon screws M8
- Plastic cover made of highly resistant ABS plastic

Floor height [mm]	Profile height [mm]	Dowel size [mm]	Dowel spacing [mm]	kg/m
135-155	125	180x140x8	600	9,27
160-185	155			9,75
185-205	175			10,07
210-230	200			10,47
235-255	225			10,87
260-280	250			11,27
285-305	275			11,67

- ability to perform a profile in any height of 5
- standard length 2.4 meters



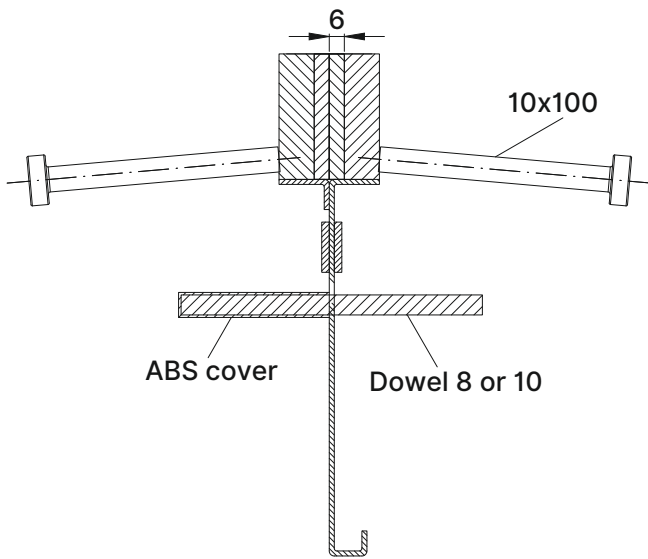


Universal Sinus Connector
 This solution can be used in X, T and L connections

Conecto Sinus 6+6 is a reinforced connection system with a sinusoidal steel top that fully protects the edges of the slabs. By using sinusoidal profiles, you can avoid cracking of the floor and expensive repairs. This unique shape has been designed for heavy forklifts, ensuring smooth and efficient operation. A profile that combines strength, reliability and ease of use.

Places of application

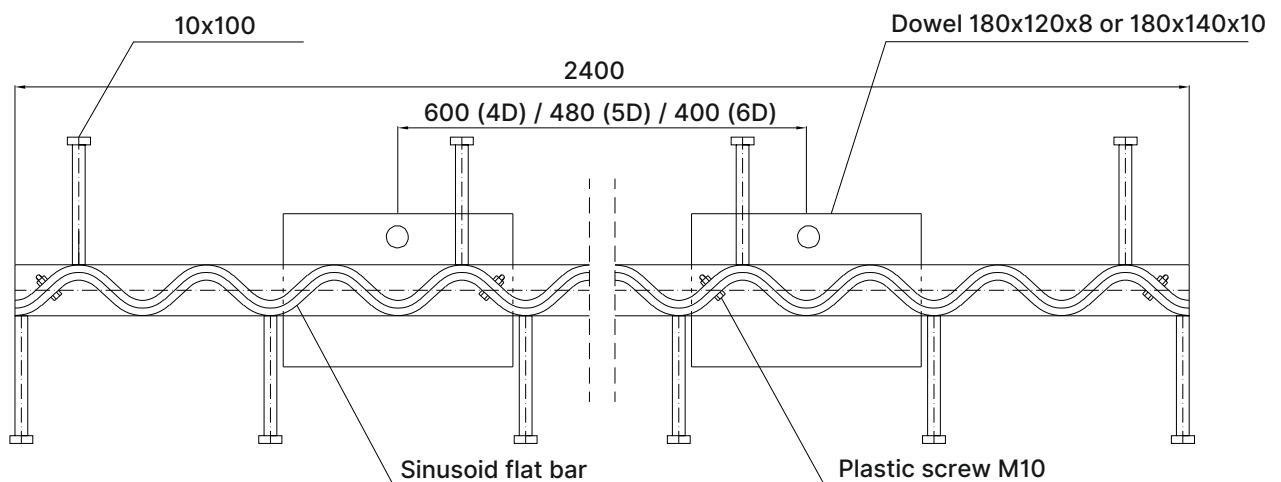
- Industrail floors
- Logistic and distribution centers
- Industrail buildings
- Industrial storage facilities



- Possibility to prepare sinus made of black steel or stainless steel top
- Possibility to use foam 5mm or 10mm
- Very big surface of steel dowel standard size 180x120x8, possibility to use dowels - 180x140x10
- Standard space between dowels 600mm (4D)
- Possibility to use more dowels per one joint (5D, 6D) to increase max loads on floor
- Standard grade steel on top S235, dowel system S355
- Plastic cover made of highly resistant ABS plastic

Floor height [mm]	Profile height [mm]	Dowel size [mm]	Dowel spacing [mm]	kg/m
115-135	100	180x120x8	600	11,11
135-155	125			11,27
160-185	155			11,75
185-205	175			12,07
210-230	200			12,47
235-255	225			12,87
260-280	250			13,27
285-305	275			13,67

- ability to perform a profile in any height of 5 mm
- standard length 2.4 meters

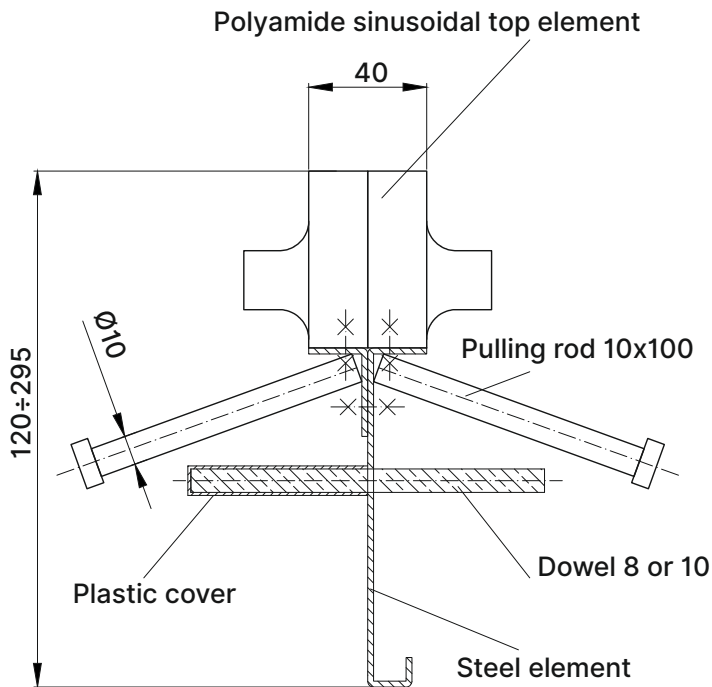




Conecto Polyamide 06NSTW60 joint is innovation solution on the expansion joints market. Due to unique construction and best quality materials it gives feeling when driving over it, that there is no joint on the floor. Using sinusoid joints you could avoid floor cracking and difficult and expensive reparations. Conecto Sinus profiles completely absorb shocks and they are completely invisible in usage. Usage of Conecto Sinus joints minimizes operation costs. They reduce problem of damaged fork-lift wheels, loading equipment and goods destruction due to shocks. The system is complete, easy to install and ready for application.

Places of application

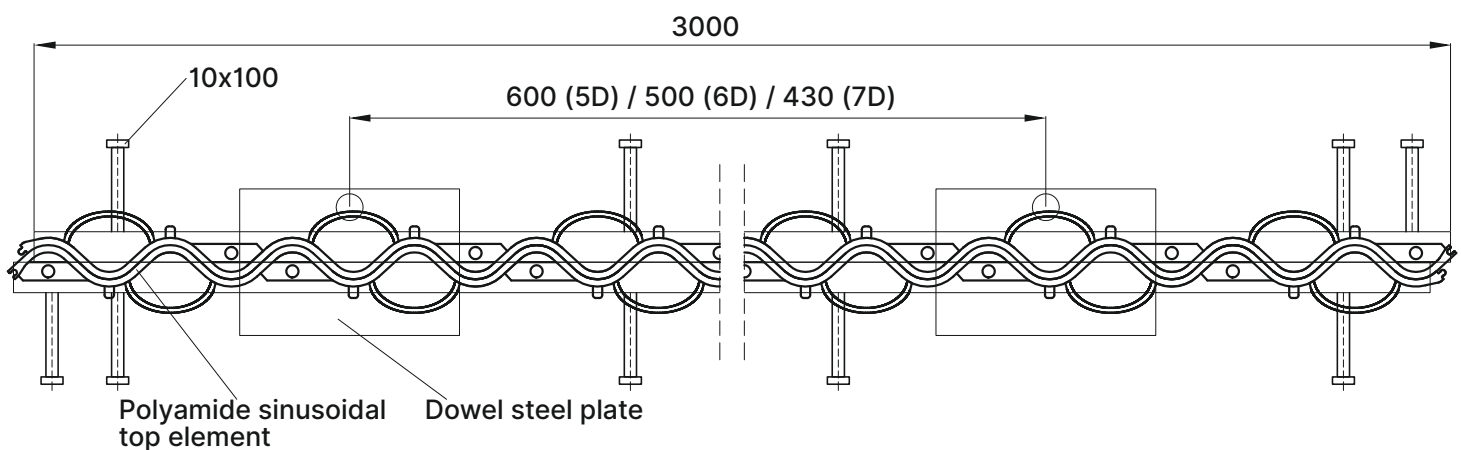
- Industrail floors
- Logistic and distribution centers
- Industrail buildings
- Industrial storage facilities



Advantages of Conecto 06NSTW60 profiles

- smooth passage through the dilatation
- possibility of grinding
- use of glass fiber reinforced polyamide
- Very big surface of steel dowel standard size 180x120x8, possibility to use dowels - 180x140x10
- maximum distance between dowels 600mm
- very large surface of the profile anchoring in the floor
- Dowel cover made of highly resistant ABS plastic

- SHOCKLESS AND VIBRATIONS FREE PASSAGE THRU DILATATION
- CO₂, REDUCTION DUE TO LOWER SHARE OF STEEL AND LOWER WEIGHT OF PROFILE
- INCREASING THE DURABILITY OF THE WHEELS
- NOT INTERFERE WITH THE OPERATION OF INDUCTIVELY CONTROLLED MEANS OF TRANSPORT
- DESIGNED FOR FLOORING INTENDED FOR GRINDING
- EASY TO PROCESS WHEN IT IS NECESSARY TO ALIGN THE FLOOR AT THE JOINT
- CORROSION- AND AGGRESSIVE ENVIRONMENT RESISTANT
- EXCELLENT EDGE PROTECTION THANKS TO THE PROFILED GLASS FIBER REINFORCED POLYAMIDE

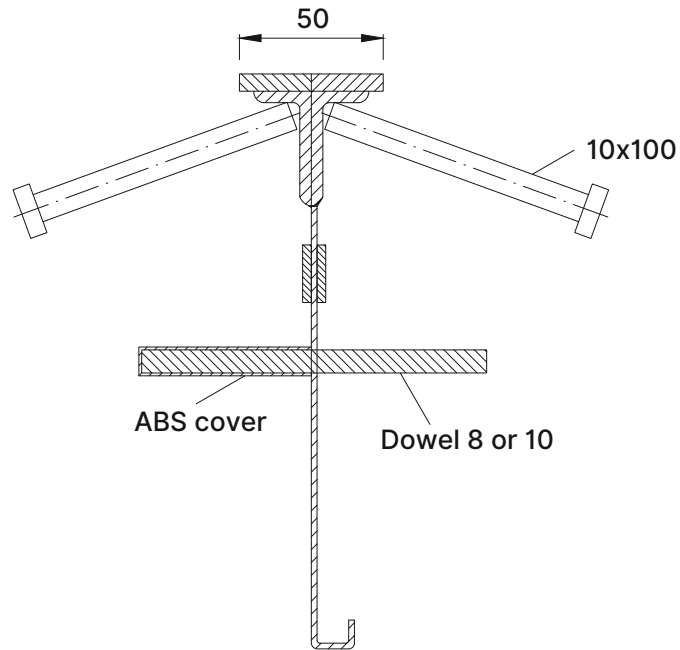




Conecto 06NC50/20x40 heavy-duty joint is specifically designed to provide vibration-free movement across joint areas in industrial concrete floors. Its exceptional shape designed for heavy load forklift, ensuring smooth and efficient operation. This solution distribute forklift loads between floor slabs. Armoured joints help to reduce stresses and prevent cracking, significantly extending the lifespan of the floor. This solution not only enhances durability but also improves user comfort work, making it ideal for high-traffic industrial areas.

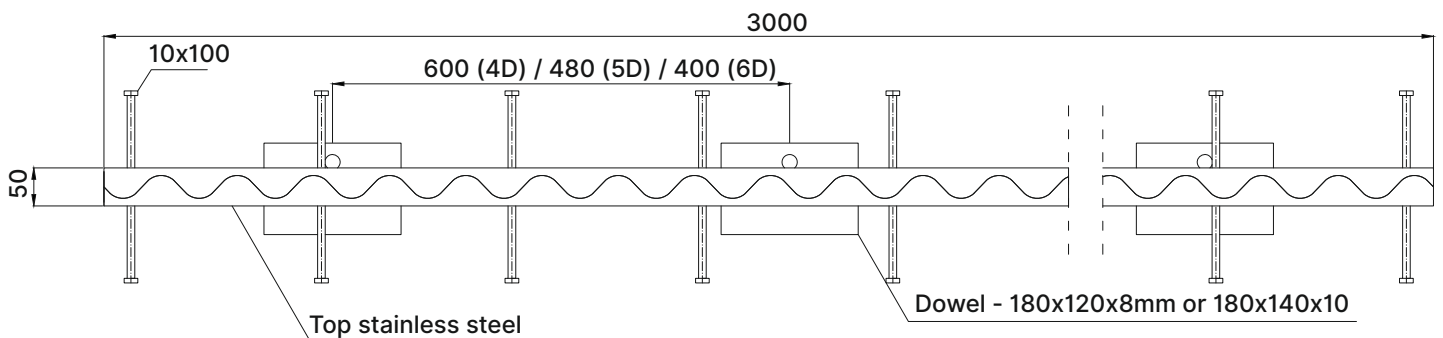
Places of application

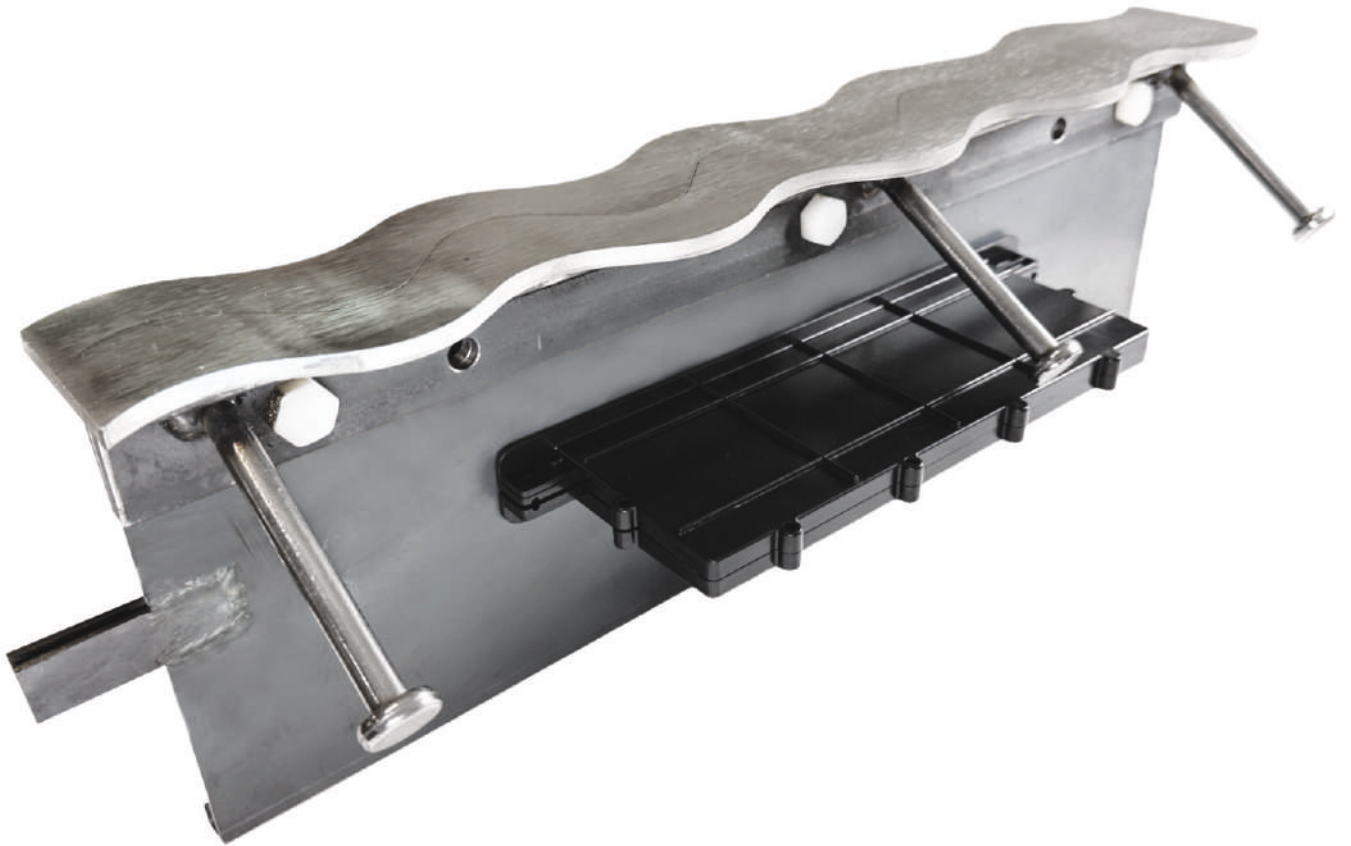
- Industrail floors
- Logistic and distribution centers
- Industrail buildings
- Industrial storage facilities



Floor height [mm]	Profile height [mm]	Dowel size [mm]	Dowel spacing [mm]	kg/m
125	100	180x120x8	600	10,80
150	125			11,20
175	155			11,70
200	175			12,00
225	200			12,40
250	225			12,80
275	250			13,20
300	275			13,60

- possibility to prepare profiles in any height (every 5mm)
- standard length 3 meters

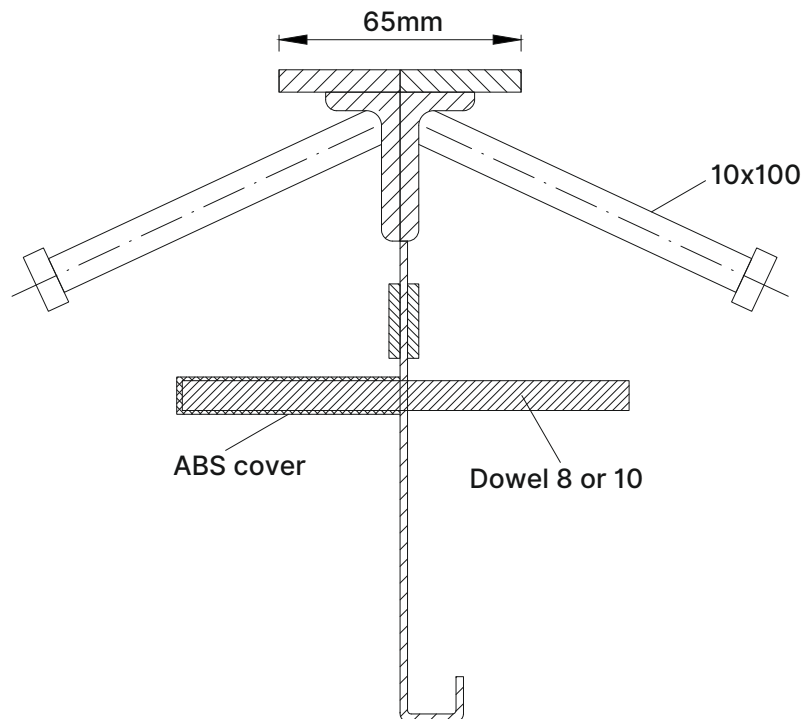




Conecto 06NCC65/20x40 joint system combines a narrow top plate with a distinctive triple wave design, offering seamless impact protection and smooth movement for materials handling equipment. The innovative sinus wave shape ensures allowing forklifts to the joint smoothly in both direction. The design helps minimize noise and vibration, enhancing comfort for forklift operators. Sinus armoured joint offers long-lasting protection in hightraffic movement areas.

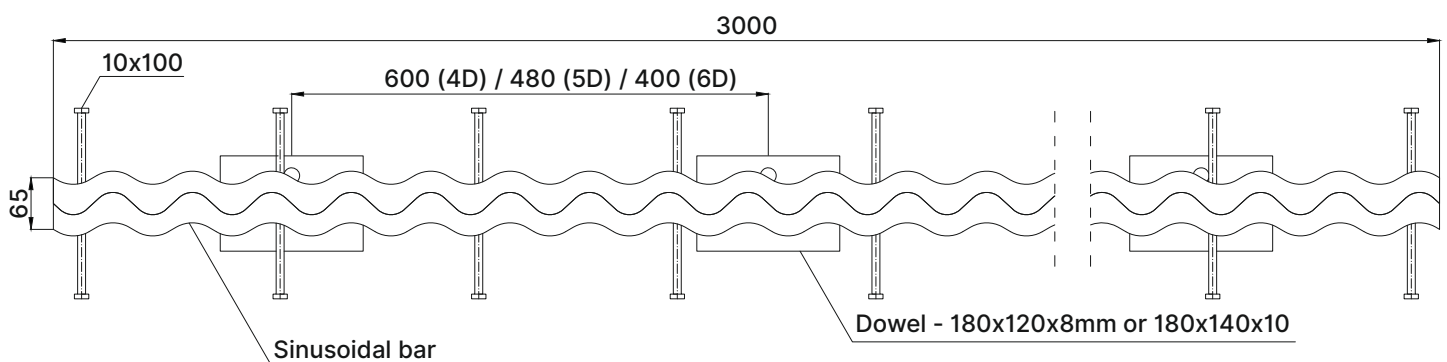
Places of application

- Industrail floors
- Logistic and distribution centers
- Industrail buildings
- Industrial storage facilities



Floor height [mm]	Profile height [mm]	Dowel size [mm]	Dowel spacing [mm]	kg/m
125	100	180x120x8	600	11,23
150	125			11,69
175	155			12,17
200	175			12,49
225	200			12,89
250	225			13,29
275	250			13,69
300	275			14,09

- possibility to prepare profiles in any height (every 5mm)
- standard length 3 meters

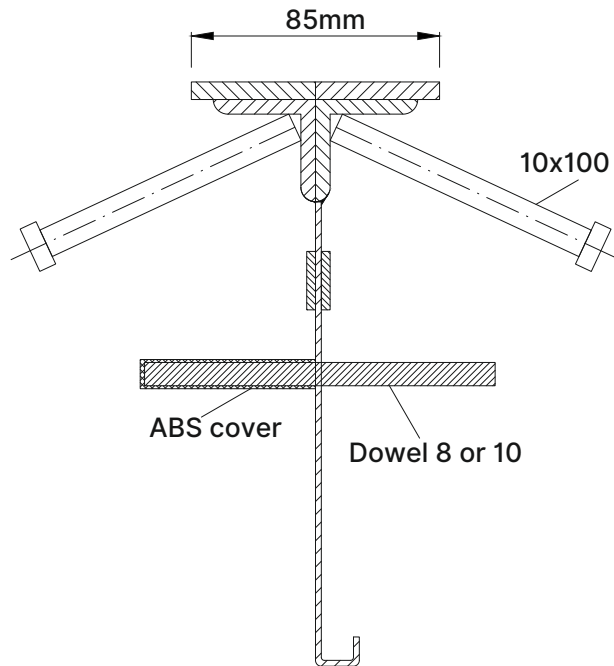




Conecto Sinus 06NC85 heavy-duty expansion joint profile is an essential solution for protecting and reinforcing joints in highly stressed concrete floors. Designed with a sine wave profile, it ensures smooth, vibration-free travel for industrial vehicles, regardless of tire size or hardness, by maintaining continuous wheel contact. This innovative design minimizes noise and vibration, enhancing operational efficiency and comfort in industrial environments. Additionally, it serves as permanent formwork for construction or pressure joints, offering robust edge protection and effective load transfer through integrated dowels. Ideal for demanding applications, this profile guarantees durability and seamless performance.

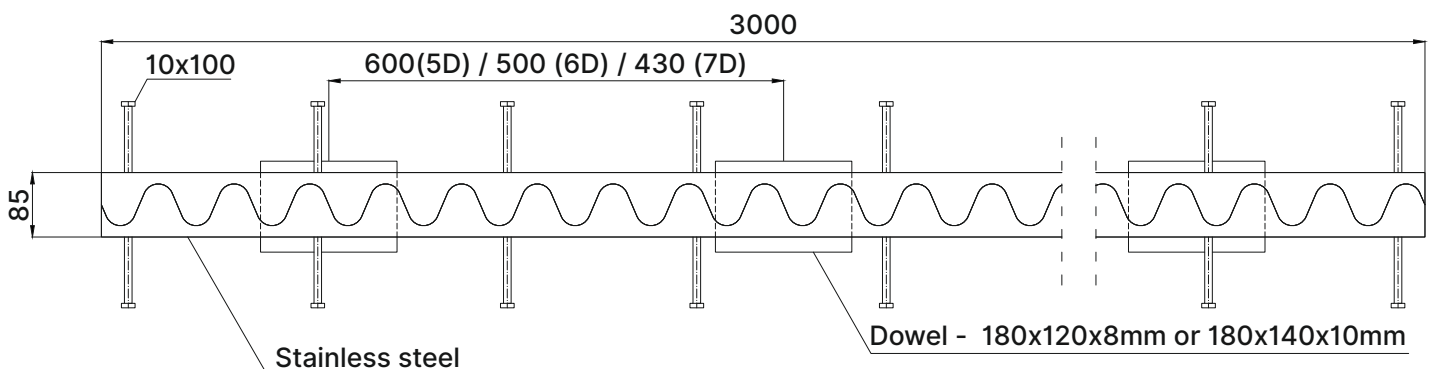
Places of application

- Industrial floors
- Logistic and distribution centers
- Industrial buildings
- Industrial storage facilities



Floor height [mm]	Profile height [mm]	Dowel size [mm]	Dowel spacing [mm]	kg/m
125	100	180x120x8	600	12,6
150	125			13
175	155			13,4
200	175			13,8
225	200			14,2
250	225			14,6
275	250			15
300	275			15,4

- possibility to prepare profiles in any height (every 5mm)
- standard length 3 meters

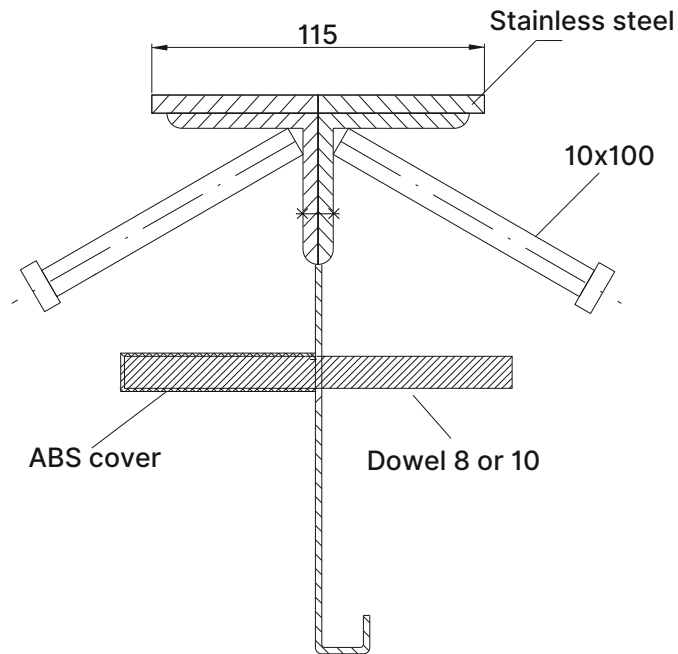




Conecto Sinus 06NC115 is heavy-duty joint profile for protecting and reinforcing joints in highly stressed concrete floors. Designed with a sinus wave, it ensures smooth, vibration-free travel for industrial forklift, regardless of tire size or hardness wheels. This innovative design minimizes noise and vibration and guarantees durability floor. It serves also as permanent formwork for concrete floors, offering robust edge protection and effective load transfer.

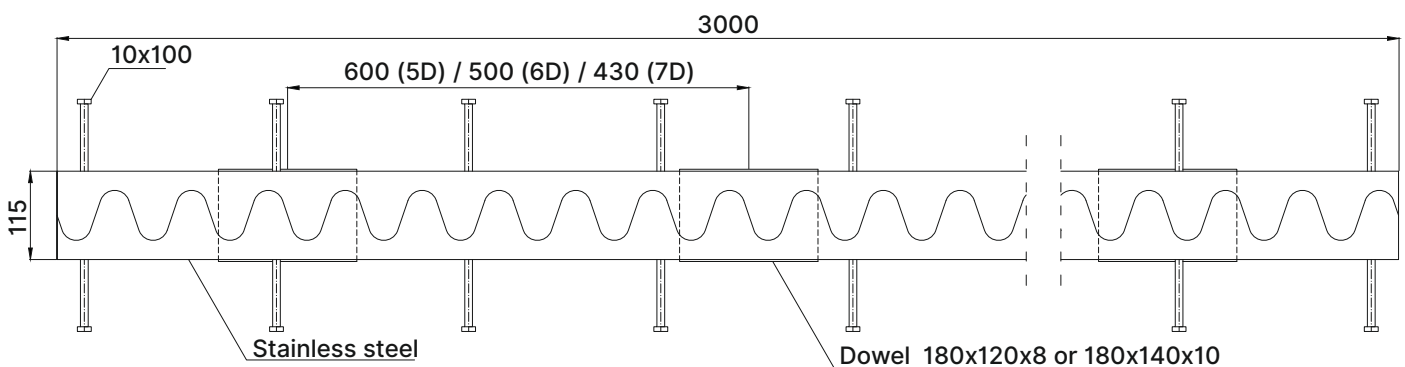
Places of application

- Industrail floors
- Logistic and distribution centers
- Industrail buildings
- Industrial storage facilities



Floor height [mm]	Profile height [mm]	Dowel size [mm]	Dowel spacing [mm]	kg/m
150	125	180x120x8	600	17,55
175	155			18,00
200	175			18,40
225	200			18,80
250	225			19,20
275	250			19,60
300	275			20,00

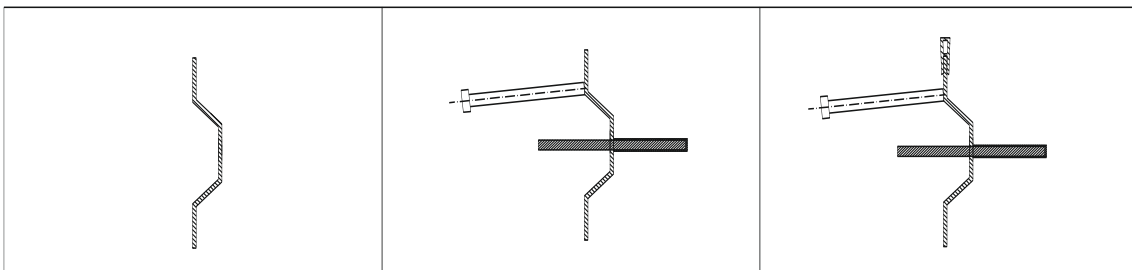
- possibility to prepare profiles in any height (every 5)
- standard lenght 3 meters





Conecto Omega 03NB is used as a day off work for the construction teams. The shape and dowel system prevent the least amount of vertical movement and guarantee optimal load transfers. Pulling rods guarantee solid anchorage in the concrete when shrinking occurs due to drying of the concrete, which also causes the actual widening to occur. The milled upper side ensures perfect smoothness of the 2 steel plates and lasting edge protection of the newly created floor.

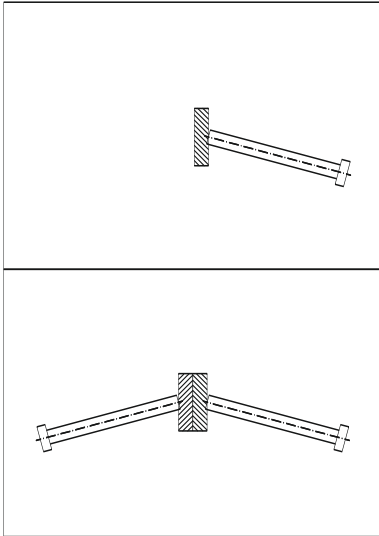
- length 3 meters



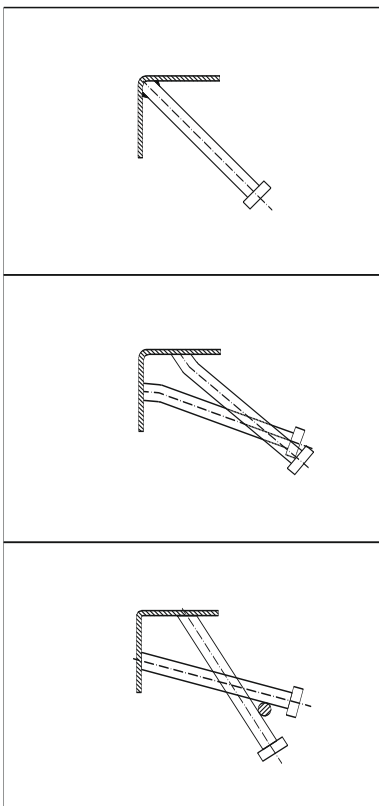
Places of application

- Industrial floors
- Logistic and distribution centers
- Industrial buildings
- Industrial storage facilities

conecto STRIPJOINT & ANGLE BARS

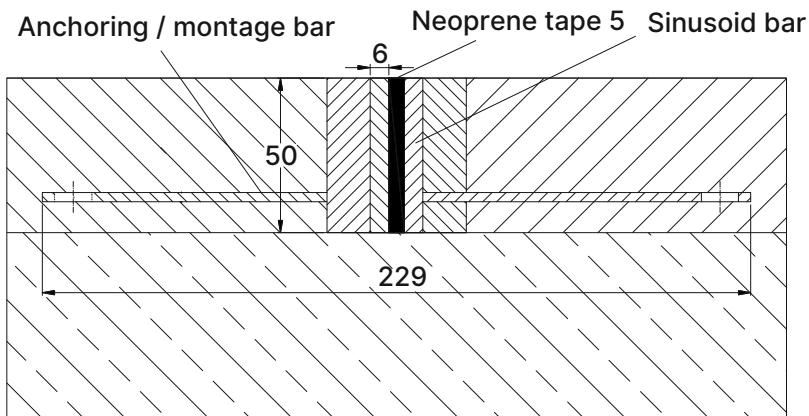


Conecto Strip Joint profile combines the strength of steel reinforcement with the practicality of timber formwork. It attaches to the top of the timber during the initial concrete pour and stays securely in place once the formwork is removed, providing reliable edge protection. Featuring steel strips, it is ideal for industrial floors and warehouse places. With a standard length of three meters, it offers a practical and efficient solution for demanding construction needs.

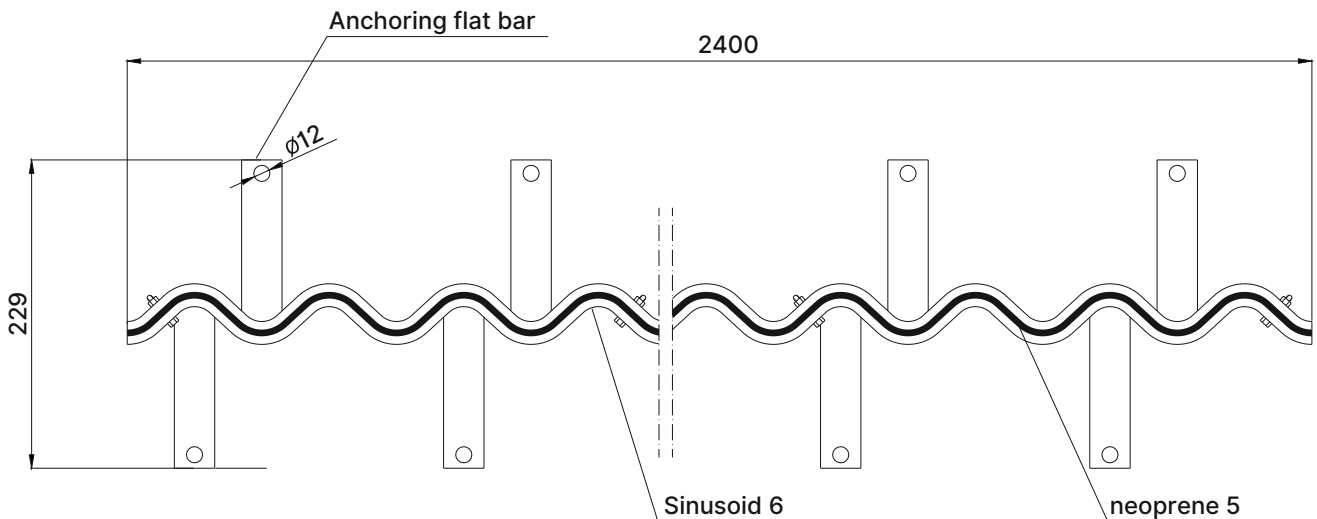


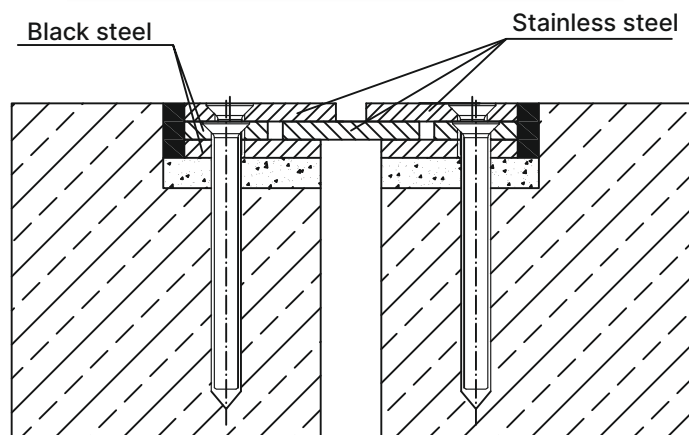
Angle Bars are designed to be used as protecting profile for the inner corner of the concrete constructions. They can transfer moderate loads to the concrete.

The standard length of the angle is 3 meters. They can be cut easily to required length at building site. Anchoring of the angle is based on rebar anchors.



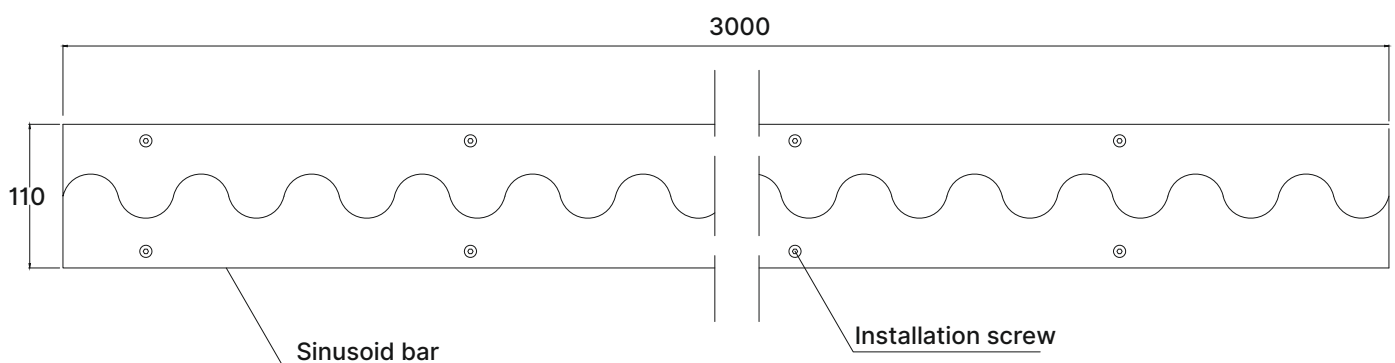
Conecto Sinus are reparation joints designed for cracking floors. Sinusoid construction provides two-level movement which prevent deeper cracking of the floors. Properly installed Conecto Sinus joints eliminate resultant damages and prevent in case of further damages. Properly secured with Conecto Sinus joints floor will not cause vehicles damages and ward off deep cracks which could prevent further usage of floor. Standard length = 2.4 meters.





Conecto 06NC110/18-R profile is specially designed for extreme loads from forklifts and heavy vehicles while also serving as an effective solution for cracked concrete floor repair. With its exceptional load-bearing capacity and vibration-free performance it ensures long-lasting durability and reliability.

Ideal for both indoor and outdoor use. It provides superior protection for industrial floors, airports, and commercial areas. Can be done from black steel or stainless steel or mix steel/stainless. Available in widths from 110mm to 300mm. This profile not only reinforces and protects concrete surfaces but also extends their lifespan.





SEMICIRCLE 03ND



**CONNECTION BETWEEN
OLD-NEW FLOOR 10NF108**

We also offer a range of versatile solutions designed to meet various needs and applications. Among these, these are non-standard profiles that can be prepared depending on the customer's needs.

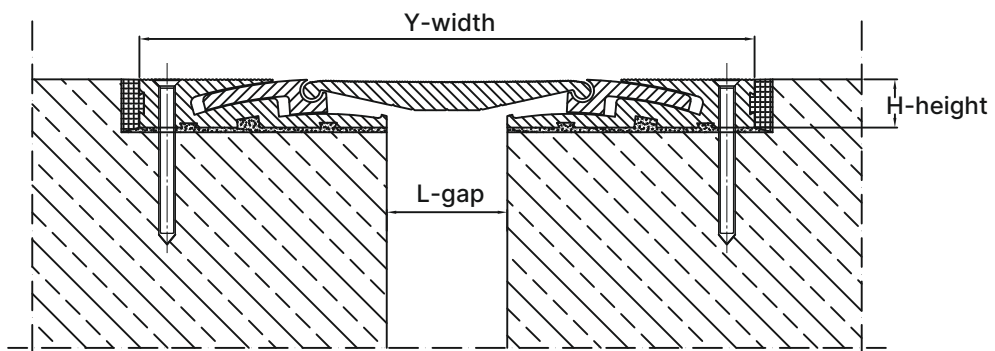
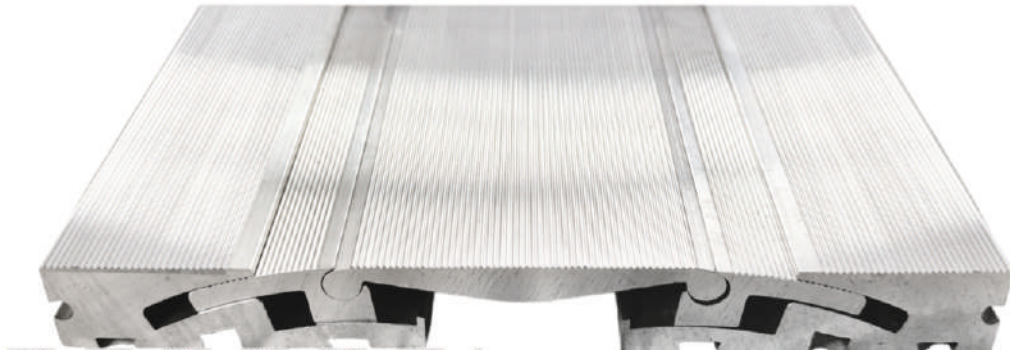
We are flexible with new designed joints and open for customers who need any modifications



**INDUSTRIAL JOING CEILING
08NE120**



**COLD STORAGE JOINT
06NE100**

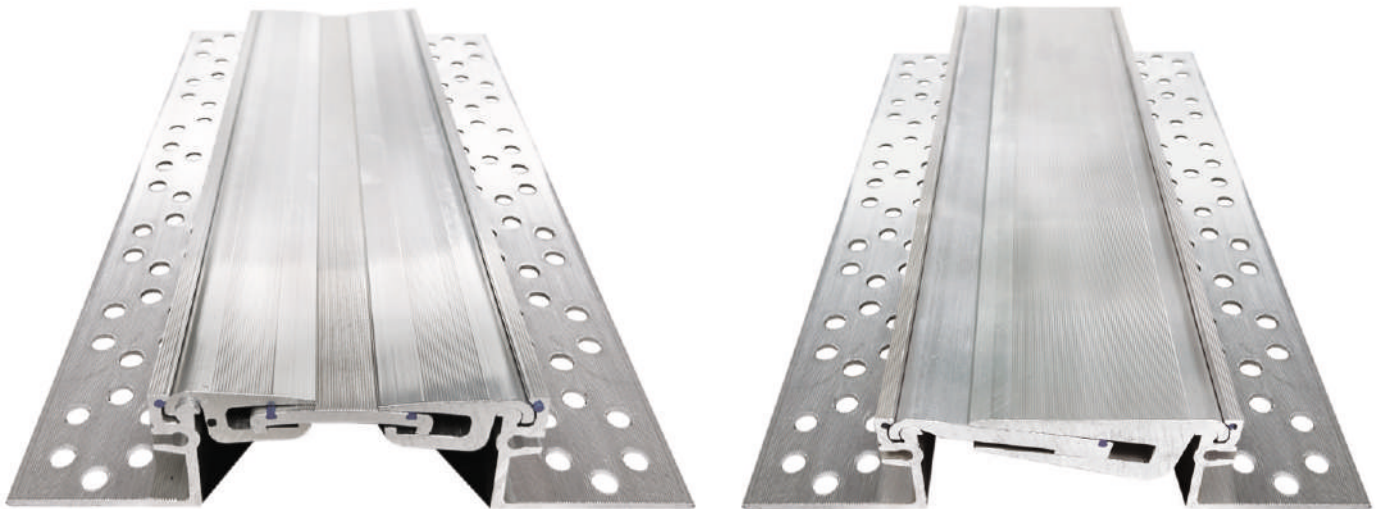


Conecto HDS construction connector is specifically designed for use in on higher floors(ceiling) in large-scale buildings and industrial . Its has vertical and horizontal movements makes it particularly suited for managing seismic stresses.

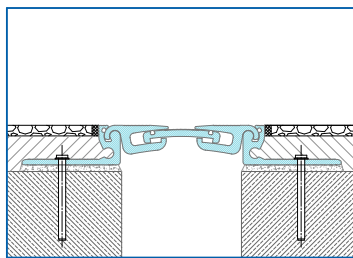
Right installation process provides ensuring long-lasting strength and stability of industrial floor. This solution is ideal for applications where durability, low maintenance, and noise reduction are critical.

ART.	L mm*	H mm*	Y mm*	Horizontal movements mm	Vertical movements mm
HDS 230.20.25	50	25	230	+/- 20	+/- 15
HDS 255.20.25	75	25	255	+/- 20	+/- 15
HDS 295.20.25	115	25	295	+/- 20	+/- 15
HDS 260.30.25	40	25	260	+/- 30	+/- 20
HDS 285.30.25	65	25	285	+/- 30	+/- 20
HDS 320.30.25	100	25	320	+/- 30	+/- 20

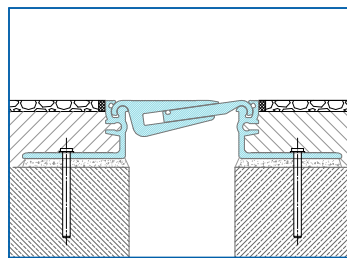
- standard lenght 3 meters



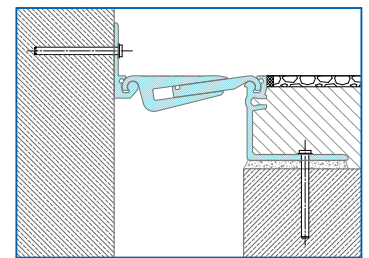
Conecto joints are manufactured of a specially engineered aluminum to load deformation resistance. Joints are formed so as to allow easy cleaning and accumulate no contamination. Joints are used for heavy traffic facilities such as shopping malls, office buildings, hotels or schools. Joints withstand up to 100kN loads, depending on the wheel size and effective pressure area. High resistance and aesthetic look are the main advantages of the joint.



groove version



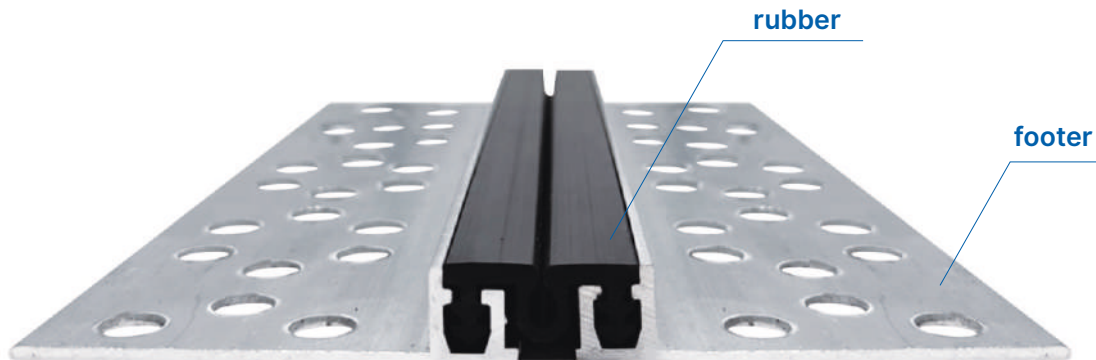
groove version



corner version

Conecto ALU	Visible element [mm]	Gap width [mm]	Base width [mm]	Installation height [mm]	Material type	Maximum load [kN]	Horizontal/Vertical compensation [mm]
AL.38.10	38	max 30	162	14, 32, 42	aluminium	30	20 (± 10)
AL.78.10	78	max 50	194	N, 15, 22, 30, 42, 52, 62, 77, 87, CV	aluminium	100	20 (± 10) 32 (± 16)
AL.110.15	110	max 75	225	N, 15, 22, 30, 42, 52, 62, 77, 87, CV	aluminium	100	32 (± 16) 46 (± 23)
AL.125.20	125	max 90	230	N, 15, 22, 30, 42, 52, 62, 77, 87, CV	aluminium	70	40 (± 20) 50 (± 25)
AL.130.21	130	max 95	255	N, 15, 22, 30, 42, 52, 62, 77, 87, CV	aluminium	100	42 (± 21) 54 (± 27)
AL.165.30	165	max 130	284	N, 15, 22, 30, 42, 52, 62, 77, 87, CV	aluminium	70	60 (± 30) 62 (± 31)

N - cover version, CV - corner version
In any case of N version gap could be bigger



ELASTOMER TYPES

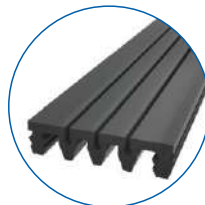
10 colors of rubber



EI 30.06



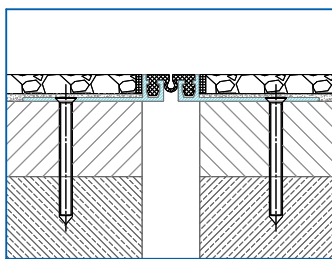
EI 50.08



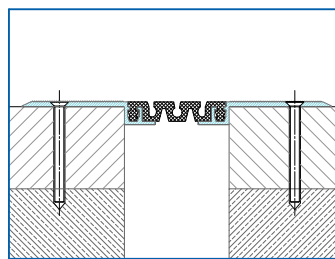
EI 65.10



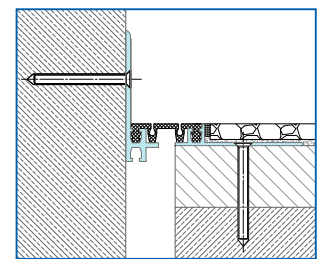
Expansion joint consist of aluminum clamps connected by an elastomer rubber. The elastomer component is made of modified PVC for better durability resistance to UV and aggressive chemicals. Confined cover is a significant advantage of the system. With a small minimum installation height, the system can be used without grooving for 3 mm PVC carpets, 5 mm textile carpets, or tile slabs. Joints perfectly suit as flush mounted floor, wall and ceiling applications.



groove version



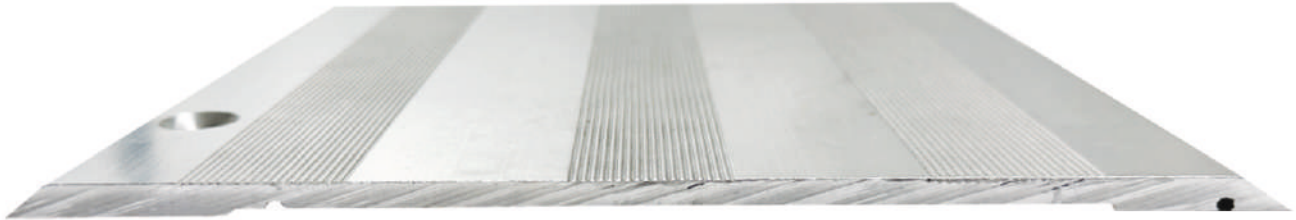
cover version



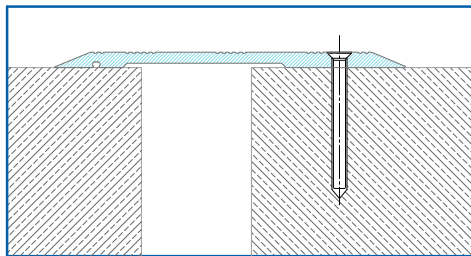
corner version

Conecto ELASTO	Visible element [mm]	Gap width [mm]	Base width [mm]	Installation height [mm]	Material type	Maximum load [kN]	Horizontal/Vertical compensation [mm]
EL. 30.6	30	30	150	N, 5, 7, 10, 12 14, 20, 30 50, 60, 70, CV	aluminium modified PVC	30	12 (± 6) 12 (± 6)
EL.50.8	50	50	175	N, 5, 7, 10, 12 14, 20, 30 50, 60, 70, CV	aluminium modified PVC	30	16 (± 8) 16 (± 8)
EL.65.10	65	65	185	N, 5, 7, 10, 12 14, 20, 30 50, 60, 70, CV	aluminium modified PVC	30	20 (± 10) 20 (± 10)

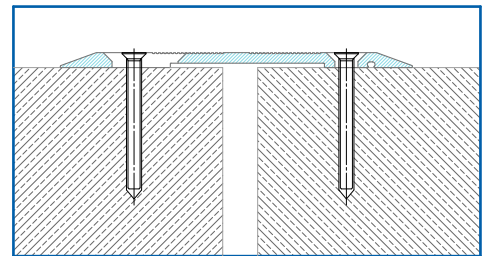
N - cover version, CV - corner version



Cs is a cover profile. Profile is designed for parking lots and inside usage. It conveys the vehicle traffic efficiently. Can be also use on walls. The profiles particularly suit applications where affordable solutions are required and where there are no upright deformations induced by slab curling.



CS one side holes

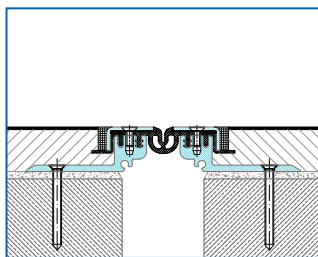


CS bilateral holes

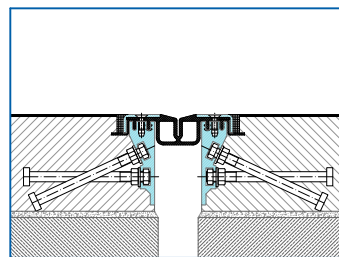
Conecto CS	Visible element [mm]	Gap width [mm]	Installation height [mm]	Material type	Maximum load [kN]	Horizontal compensation [mm]
CS 120 one side holes	120	max 15	5	natural aluminium	60	± 10
CS 160 one side holes	160	max 25	7	natural aluminium	60	± 30
CS 260 one side holes	260	max 80	7	natural aluminium	45	± 65



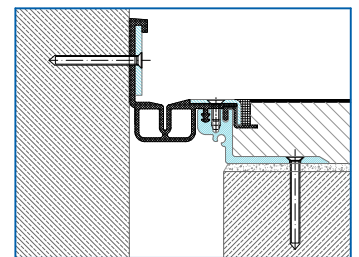
Watertight expansion joints for car park groove applications. Designers enjoy the system for reliability and the small size of the visible element aligned with the parking floor surface. High resistance to traction and loads. Joint is anchored tight and the groove is filled with resin grout. Application of flexible material on joint rims makes the properly installed cover virtually indestructible. The removable cover allows for elastomer replacement in case of mechanical damage. This system has proven its qualities at numerous parking across Europe. In case of groove high, we use Conecto GA on upper mounting bracket (angles with pulling rods) Conecto GA joint also comes in a corner model and model with long rubber to connect with waterproofing membrane.



groove version



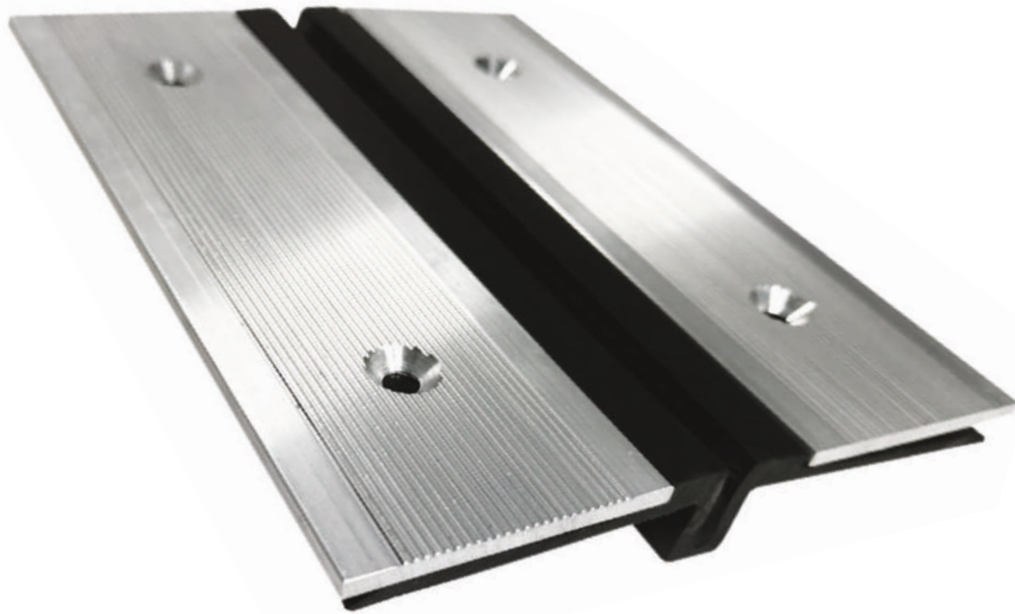
groove high



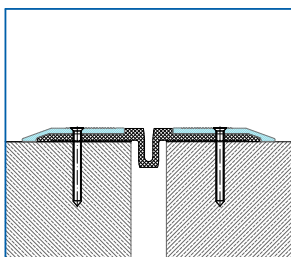
corner version

Conecto PARK GA	Visible element [mm]	Gap width [mm]	Base width [mm]	Installation height [mm]	Material type	Maximum load [kN]	Horizontal/Vertical compensation [mm]
GA 43.10	89	max 65	214	25, 35, 45, 55 70, 90 100-200, CV	aluminium EPDM/PVC steel	600	20 (± 10) 20 (± 10)
GA 50.20	97	max 77	222	25, 35, 45, 55 70, 90 100-200, CV	aluminium PVC, steel	600	40 (± 20) 40 (± 20)
GA 63.30	109	max 86	235	25, 35, 45, 55 70, 90 100-200, CV	aluminium PVC, steel	300	60 (± 30) 60 (± 30)
GA 88.45	134	max 111	260	25, 35, 45, 55 70, 90 100-200, CV	aluminium PVC, steel	300	90 (± 45) 90 (± 45)

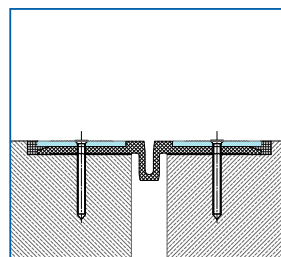
CV - corner version
Max height till 300mm



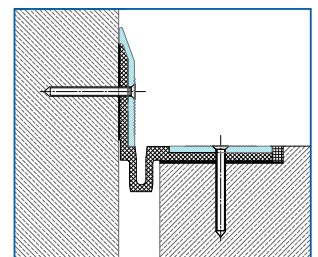
This is an excellent watertight joint proofing system made of highly modified PVC, and overlaps made of aluminum, stainless steel or galvanized steel. Covers can be installed directly onto the reinforced concrete slab or to the concrete overlay layer. We can also offer solutions that can be easily employed from 20 mm to 70 mm gap. Joint perfectly compensates construction movements, horizontal up to 30 mm and vertical up to 20 mm. This solution is recommended when concrete top floor is too thin for groove or when no grooves were provided during concreting. The profile can be installed in the overlapping or aligned version. Elastomer is glued to the surface using special activators, primers and renowned companies' adhesives designed in lab conditions. This solution guarantees watertight and solid connection between elastomer and concrete. Elastomer is also protected by aluminium metal to increase adhesion and protects elastomer from mechanical damage during exploitation. No expansion bolts are required for the joint's installation, which allows it to be installed near the expansion edge without damaging it.



SL 190.30 N

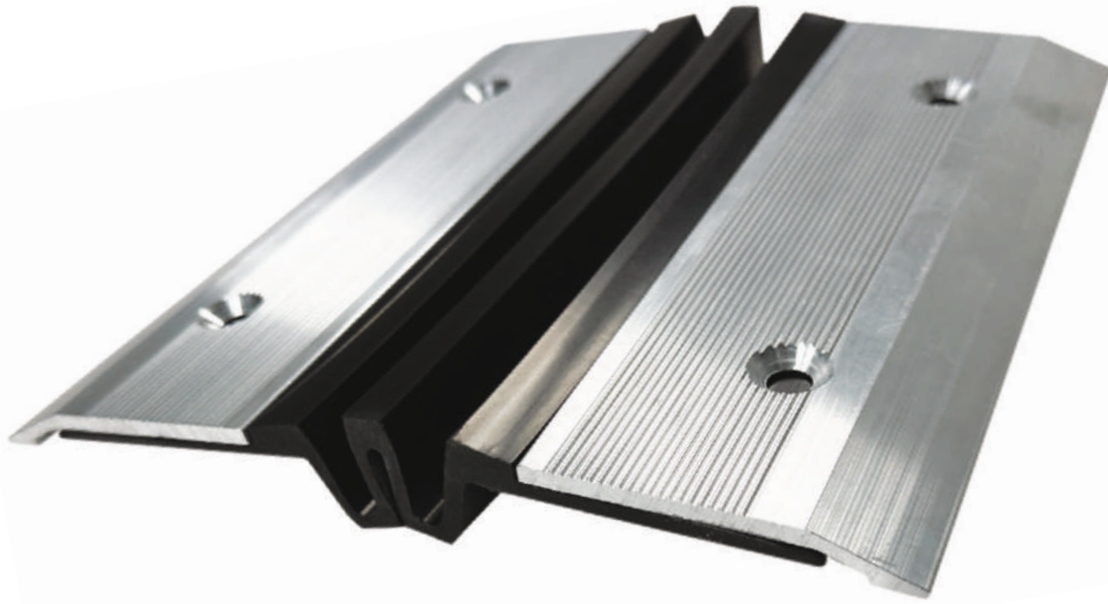


SL 190.30 W

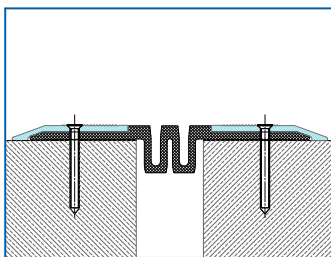


SL 190.30 CV

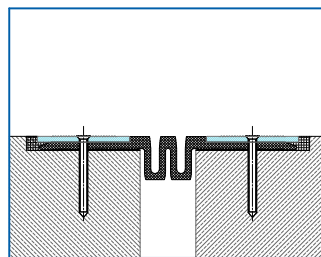
Conecto PARK SL	Visible element [mm]	Gap width [mm]	Method of installation	Installation height [mm]	Material type	Maximum load [kN]	Horizontal/Vertical compensation [mm]
SL 190.30 N	215	Max 30	cover	10	aluminium PVC	600	40 (± 20) 30 (± 15)
SL 190.30 W	190	Max 30	groove	10	aluminium PVC	600	40 (± 20) 30 (± 15)
SL 190.30CV	124	Max 30	corner	10	aluminium PVC	600	40 (± 20) 30 (± 15)



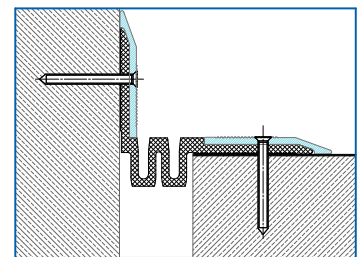
The system is highly appreciated by the designers for aesthetic look, easy installation. Valued by and investors for efficiency, reliability as well as affordable price. Because of long term warranty, our system became sought solution for new facilities, especially for parking places requiring immediate reconstruction. In case of where heat insulation and concrete overlay are required, for example parking places located above trade area, it is possible to use an additional tight membrane in floor slab insulation. Joint has successfully undergone a variety of aging resistance tests proving durability and effectiveness. The system is resistant to aggressive chemicals (like gasoline, diesel fuel, oils, lubricants), UV rays and external conditions. Joint meets the class E fire resistance requirements in accordance with PN-EN 13501-1 standard, which requires that products are capable of resisting - for a short period of time - influence of a small flame without considerably spreading it.



SL 210.50 N



SL 210.50 W



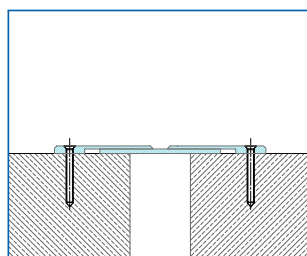
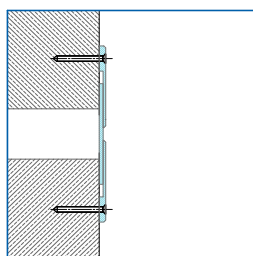
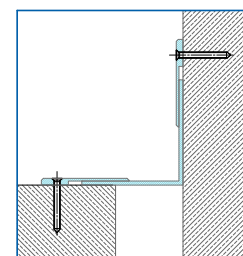
SL 210.50 CV

Conecto PARK SL	Visible element [mm]	Gap width [mm]	Method of installation	Installation height [mm]	Material type	Maximum load [kN]	Horizontal/Vertical compensation [mm]
SL 210.50 N	235	Max 50	cover	10	aluminium PVC	450	60 (± 30) 40 (± 20)
SL 210.50 W	210	Max 50	groove	10	aluminium PVC	450	60 (± 30) 40 (± 20)
SL 210.50 CV	145	Max 50	corner	10	aluminium PVC	450	60 (± 30) 40 (± 20)

We have also SL230.70 version N, W, CV for max gap 70mm and max movements +45mm and +/-20mm



Wall and ceiling expansion joints cover has been developed for wide joints. It is an aesthetic solution that efficiently compensates large deformations. Lateral components are made of aluminum and the compensator is made of a composite slab. This joint can be fitted easily to nearly any substrate and it is available as a cover or flush. This allows the profile to be implemented in any kind of walls and ceilings finishing. Joint is available in RAL 9006.


cover floor version

cover wall version

corner version

Conecto WA	Visible element [mm]	Gap width [mm]	Method of installation	Installation height [mm]	Material type	Color	Horizontal/Vertical compensation [mm]
WA 140	140	max 40	cover	5	aluminium, composite	RAL 9006	±10
WA 160	160	max 60	cover	5	aluminium, composite	RAL 9006	±20
WA 210	210	max 100	cover	5	aluminium, composite	RAL 9006	±20
WA 260	260	max 150	cover	5	aluminium, composite	RAL 9006	±20
WA 310	310	max 200	cover	5	aluminium, composite	RAL 9006	±20

Types of clips:



S - width 15-35 mm



M - width 35-80 mm



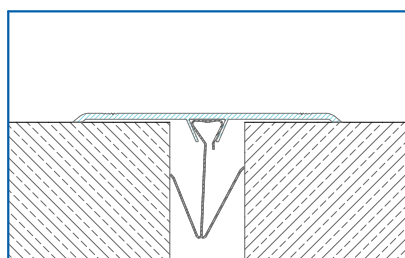
L - width 70-120 mm



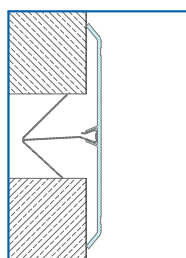
Aesthetic clip-mounted expansion joint cover. The cover made of anodized aluminum is mainly used to cover a gap on wall and ceiling seams ranging from 2 to 15 cm width in places where incombustible materials usage is required. The slim surface element makes it very popular in places where cover profiles should not be too exposed. The installation is exceptionally quick and easy with metal flexiclips.

ADVANTAGES

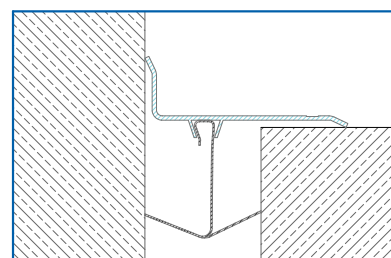
- installation is possible after plasters are completed
- can be painted in the wall's color
- possibility do adjust clips to joint width



cover floor version



cover wall version



corner version

Conecto JW	Visible element [mm]	Gap width [mm]	Method of installation	Material type	Color
JW 50	50	max 30	cover	aluminium / PVC	anode
JW 70	70	max 50	cover	aluminium / PVC	anode
JW 90	90	max 70	cover	aluminium / PVC	anode
JW 120	120	max 100	cover	aluminium	anode
JW 140	140	max 120	cover	aluminium	anode



CONECTO PROFILES Sp. z o.o.

ul. Przemysłowa 39

61-541 Poznań, Poland

tel. +48 882 180 182

e-mail: damian@conecto-profiles.com

I D E A
project
product

www.conecto-profiles.com